

Glory E3 /SERES 3 User Manual



Preface

Dear users, thank you for choosing DFSK or SERES brand vehicle!

The Manual provides the key information for you to know about the operation and maintenance of DFSK or SERES new energy vehicles. So, please read through it and use your car as required. If not to do so, your car or its parts may be damaged and accordingly your car's performance and durability will be affected.

The Manual is prepared for DFSK or SERES series, so some configurations are not found in your cars. Please be subject to your own car's configuration. Thanks for your understanding.

In consideration of the continuous development and improvement of products, in case of any modifications, we will publish on the DFSK website within 6 months.

If you has to repair or maintain your car, please timely get in contact with DFSK or DFSK local dealers Special Service Center. All staff of DFSK or DFSK local dealers Special After-sales Service Center will provide considerate and satisfactory service for you.

We are pleased to accept your valuable views and suggestions.

DFSK Motor Co., Ltd.


Reading Instructions


The Manual is applicable to all types of this vehicle, including some optional configurations. Therefore, maybe you will find some information not applicable to your car.


All information, specification parameters and illustrations herein are in the specification when the Manual is printed, and DFSK reserves the right to modify the vehicle specifications or design at any time without any notice.

Reading for Safe Driving

Please read through the Manual before driving which ensures that you can know about the requirements of control and maintenance and is helpful for your driving.

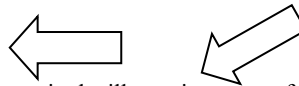
The Manual uses the sign of “ warning”, indicating that it may result in personal injury or other serious damages. In order to avoid or reduce dangers, please abide by it.

The Manual also uses the sign of “ being careful”, indicating it may result in light damage to person or vehicle. To avoid or reduce dangers, please abide by it carefully.

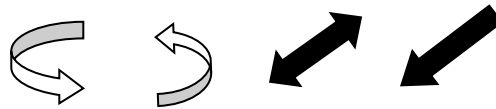
The sign of “ attention” means some information about help.



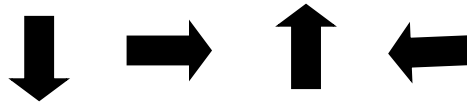
The symbol means “don’t do it” or “prevent it



The arrow in the illustration means front of the vehicle.



The arrow in the illustration means movement or function.



The arrow in the illustration means attention to the item pointed by the arrow.

Key Tips

● **Car Modification**

Don't modify any auto parts, vehicle information and signs. The modification will impact the vehicle performance, safety or durability, and even violate the national laws and regulations. In addition, with regard to any damages or performance failure caused by modification, DFSK will not provide warranty.

● **Genuine Spare Parts & Accessory**

Please buy DFSK genuine spare parts. We do not provide any warranty due to the damage or performance fault arising from any non-DFSK genuine parts fixed in the vehicle.

● After performing the said maintenance, you are recommended to have regular maintenance at DFSK Special After-sales Service Center, which is the key link of correct and reasonable use of car. The comprehensive maintenance can ensure a good technical status and prolong the car life. You are recommended to have maintenance at DFSK Special After-sales Service Center. If not to do so, you will not be provided with three-guarantee warranty in case of any failure for the reason of no maintenance or improper maintenance.

● Please don't modify any structure or function of DFSK series without permission. In case of any direct or indirect losses due to modification, addition or model modification, DFSK Automobile Co., Ltd. will not assume any liability.

● In order to ensure vehicle performance, please adopt the true DFSK parts. In case of any direct or indirect losses due to using of not true DFSK parts, DFSK Automobile Co., Ltd. will not assume any liability.

● In case of any quality problems during using the car, please send it to be overhauled by DFSK Special After-sales Service Center. If not to do so, in case of any losses due to any problems caused by repairing by others, DFSK Automobile Co., Ltd. will not assume any liability.

-
-
- DFSK Special After-sales Service Centers across China can ensure the technology supports and parts supply.

New Energy Your car can be provided with good maintenance and reliable quality guarantee, and you have the supervision right over the run-in maintenance, regular maintenance and repairing done by DFSK Special After-sales Service Centers. DFSK Automobile Co., Ltd. is pleased to receive your comments or advices by phone or e-mail.

- Please carry with your “Client Information Card” when driving, so that we can provide services and helps for you at any time. If you lend your car to others, please handle such material to the new user.

Precautions

- Legal drive: forbidden to have alcoholic drive or drive influenced by drug
- Forbidden to have the children to stay into the vehicle or have children use or have the vehicle keys.
- To avoid any harm, forbidden to touch any high-volt harness or connectors or high-volt parts.
- Please follow the warning signs on the high-volt parts
- Non-professional maintenance staff forbidden to disassemble power battery or high-volt parts.
- Vehicle shall be forbidden to drive at the corrosive environment, explosive environment or heat supply.
- Forbidden to press or piece the power battery or other damaged battery activities.
- Please do not touch the battery if any leakage or damage on the battery, if touched please wash by the water and see the doctor
- Forbidden to dispose the old or obsolete battery by yourself and please ask the local distributor or dealers

Power Battery Recycling

Power battery pack is fixed under the chassis and its lithium cell maybe brings about the environment damage. In order to new energy vehicle battery recycling and reuse, protect the environment and human health and protect the drivers, we make the policy on Glory E# or SERES 3 used battery recycle as follow:

1. Battery belongs to high-volt part, and vehicle owner shall drive the vehicle into DFSK authorized service station for the repair if any battery repair or battery shift.
2. The vehicle owner shall hand over the waste battery to the DFSK authorized service station due to vehicle scrapping or other reasons. Please ask local distributor or dealer for the details.
3. The vehicle owner hands over the waster battery to any other third party including the company or private person, or dismount or disassemble the battery damaging the environment or safety issue.

Contents

General Information
Design
Trim
Motor Compartment
Open & Close
Key
Door Lock
Door Window
Storage
Seats and SRS airbag
Front& Rear Row Seat
Safety Belt
ISOFIX
SRS

Drive & Handle System

- Car Starting
- Drive
- Gear-shift
- Brake system
- Steering Column Control
- ADAS System
- Instrument Meter
- Indicator and Sound reminder
- Light Switch
- Wiper & Washer Switch
- Cruise Control System
- Rearview Mirror
- Other devices

Air Conditioner (A/C) System

Heater & A/C

Audio Entertainment System

 Antenna

 Reverse Camera System

 Panoramic Parking

 Trip Recorder

 Wireless Charge

 Speaker

 Player

 MP5

Vehicle Charging

 High-volt warning

 Charge outlet

 Charge gun and inlet

 Charge and discharge

 Battery System

Roadside Assistance

Maintenance

Maintenance Precautions

Car Cleaning

Protection and Corrosion

Reservoir Water Tank.

Timing Belt

brake.

Air Filter.

Windowshield wiper blade.

Windowshield wiper Cleaner.

Remote battery.

Fuse Box

Vehicle Lights

Tire and wheel

Regular Maintenance

Lubricant and its rated quantity

Vehicle Technical Parameters

Vehicle Dimension

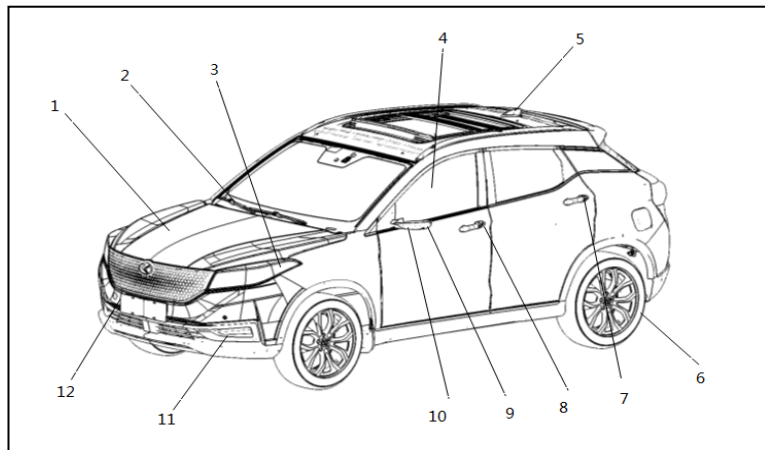
Register as traveling or abroad

Vehicle Identification Number (VIN)

General Information

Front Design

1. Motor cover (P.- 27 -)
2. Front windscreen wiper and washer



- Operating switch (P.- 102 -)
 - Windscreen washer liquid (P- 102 -)
3. Headlight, turn signal light and position

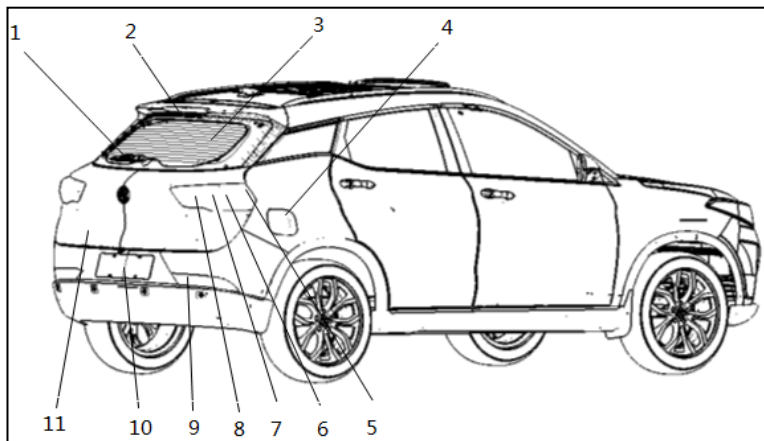
light

- Operating switch (P.- 100 -)
- Replacement of bulb (P.- 100 -)

4. Windows (P.- 29 -)
5. Antenna (P.- 123 -)
6. Tire
 - Tire and wheel (P.- 178 -)
 - Tire pressure label (P.- 197 -)
7. Rear door child lock (P.- 25 -)
8. Door
 - Key (P.- 17 -)
 - Door lock (P.- 19 -)
9. Exterior rearview mirror (P.- 109 -)
10. Side turn signal light
 - Operating switch (P.- 99 -)
 - Replacement of bulb (P.- 176 -)
11. Daytime driving light
 - Operating switch (P.- 99 -)
 - Replacement of bulb (P.- 176 -)
12. Tow hook (P.- 154 -)

Rear Design

Note: As per GB1589, the parts indicated by item 2 and 5 (soft parts), 9, 10 and 12 are not included into the vehicle dimensions.

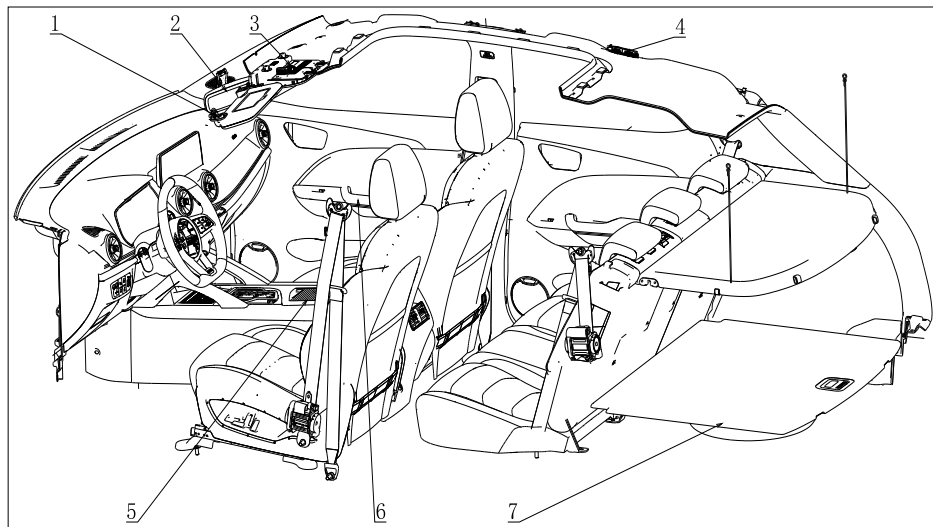


- 5. Brake light
 - Operating switch (P.- 99 -)
 - Replacement of bulb (P.- 176 -)
 - 6. Position light
 - Operating switch (P.- 99 -)
 - Replacement of bulb (P.- 176 -)
 - 7. Steering light (P.- 175 -)
 - 8. Reversing light (P.- 175 -)
 - 9. Fog light
 - Operating switch (P.- 99 -)
 - Replacement of bulb (P.- 176 -)
 - 10. License plate light (P.- 176 -)
 - 11. Hatchback (P.- 26 -)
- * Optional

- 1. Rear wiper * (P- 102 -)
 - Start operation (P.- 132 -)
- 2. High brake light (P.- 177 -)
- 3. Rear windscreen defroster *(P.- 118 -)
- 4. Charging port

Note: As per GB1589, the parts indicated by item 1 are not included into the vehicle dimensions.

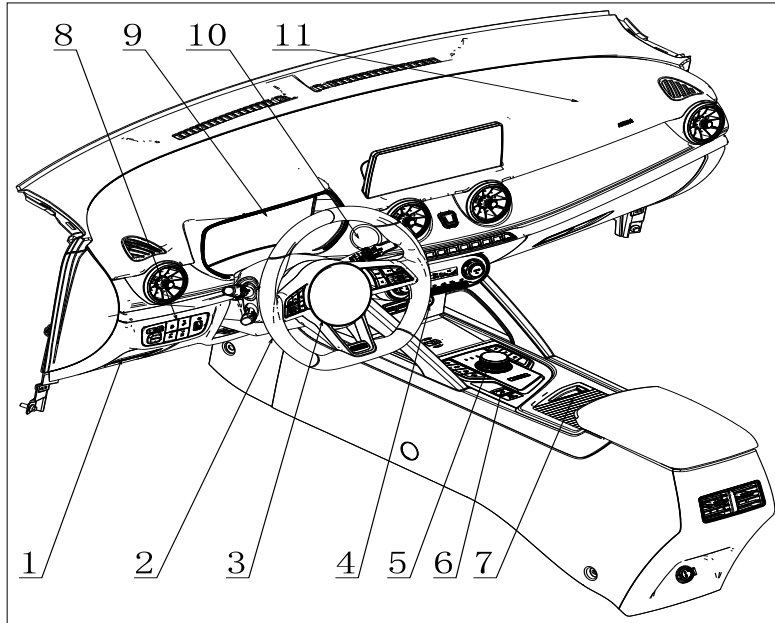
Passenger Cabin



- 1. Interior rearview mirror (P.- 109 -)
- 2. Visor (P.- 106 -)
 - Bill fold (P.- 106 -)
 - Make-up mirror (P.- 106 -)
- 3. Front reading light (P.- 107 -)

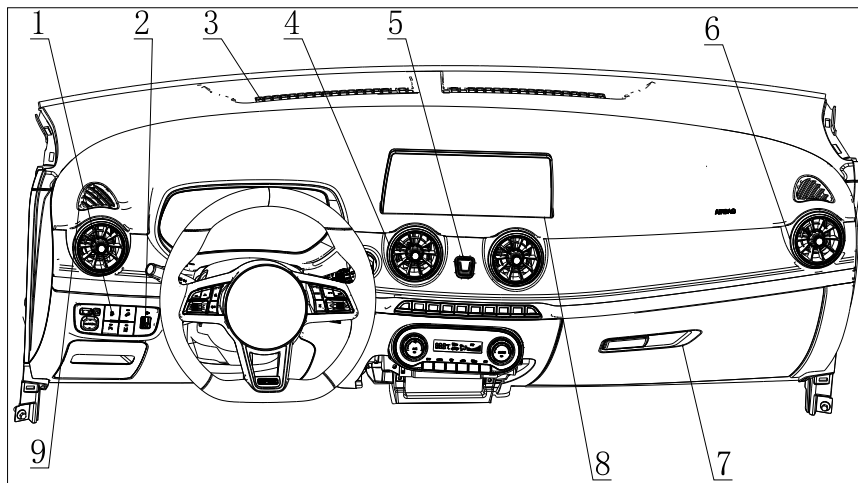
- 4. Rear interior light (P.- 108 -)
- 5. Storage device
 - Middle cover cup holder and storage box (P.- 36 -)
 - Tool box (P.- 35 -)
- 6. Door armrest
 - Power winder switch (P.- 29 -)
- 7. Baggage cabin
 - Hatchback (P.- 26 -)

Driver Cabin (Left Rudder)



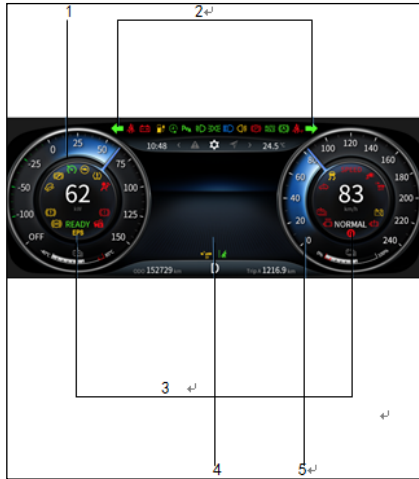
1. Access hole
2. Steering wheel
- Electric power steering (EPS) system (P.- 80 -)
3. Klaxon button (P.- 105 -)
4. Cigarette lighter (P.- 34 -)
5. Knob electronic gear shift mechanism (P.- 78 -)
6. Parking brake (P.- 111 -)
7. Ash pan (P.- 106 -)
8. Combined side marker light (P.- 88 -)
9. Integrated instrument (P.- 89 -)
10. Motor start-stop system (P.- 76 -)
11. Front passenger seat's SRS module (P.- 68 -)

Instrument Panel (Left Hand Drive)



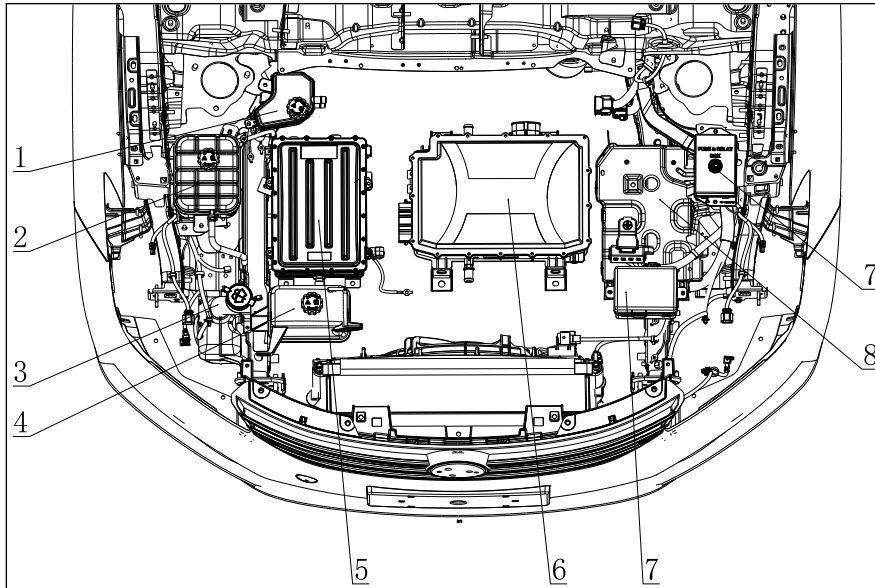
1. ABS (P.- 88 -)
2. Adjusting switch of headlight height (P.- 101 -)
3. Central defrosting outlet (P.- 119 -)
4. Central air outlet (P.- 88 -)
5. Alarm switch (P.- 105 -)
6. Side air outlet (P.- 88 -)
7. Tool box (P.- 35 -)
8. Display (P.- 131 -)
9. Side defrosting outlet

Integrated Instrument



1. Motor tachometer (P.- 89 -)
2. Left and right turn signal lights (P.- 89 -)
3. Function indicator (P.- 89 -)
4. Liquid crystal display (LCD) (P.- 90 -)
5. Speedometer (P.- 89 -)

Motor Compartment



1. PTC circulating tank assembly
2. Battery compensation tank assembly
3. Water tank and motor of washer
4. Water tank assembly and accessories
5. On-board charger assembly
6. Motor controller assembly
7. Front cabin harness assembly
8. Battery


Open and Close

Key

The car is equipped with two keys. Please keep one key at a safe place as a spare key. The key can operate:

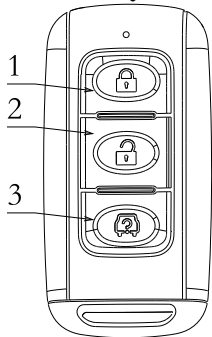
① start switch; ② front door lock; ③ hatchback lock; ④ window glass; ⑤ hatchback switch

Only when you used the key correctly, can you start the car.

Warning 

Don't leave your key in car when getting off your car.

Remote Key



1. Remote locking button
2. Remote unlocking button
3. Car locating button

Warnings

- Keep your remote key away from saline water which may damage transmitter chip and accordingly result in system failure.
- Don't fall down the remote key.
- Don't beat the remote key.
- Don't place the remote key in the environment with temperature higher than 60°C for a long time.
- Don't place the remote key together with the magnetic key chain.

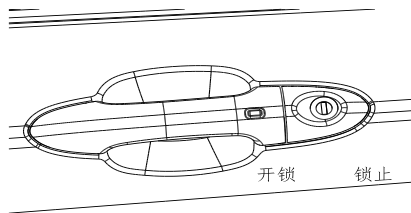
-
-
- Don't place the remote key together with the device that produces a magnetic field, such as TV, audio device and personal computer.
 - Where the remote key is insufficient of power, the start-stop function cannot be used for starting the car. Then, please conduct as per instrument instructions, and keep the remote key closer to the start-stop switch to start the car. Please replace battery to avoid impacting the function.

Door Lock

Warnings

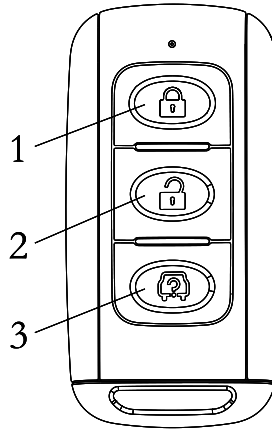
- Before driving, do observe to avoid accident.
- Don't leave children or the incapable adult in car alone. They may unintentionally touch the switch or control panel, and accordingly result in serious accident.

Front Door Lock






Lock / Unlock Door with Key (outside Car)

Upon locking door, close the door, insert the mechanical key into key hole (on driver door or front passenger door), and turn the key clockwise. Upon opening door, turn the key anticlockwise, and the door will be opened.



Lock / Unlock Door with Remote Key

1. Locking button
2. Unlocking button
3. Car locating button

When locking the door outside the car, close five doors (including hatchback), and press down the button “”, to lock such five doors. Before opening door, press button “” to use car locating function, and find your car. And then, press button “” to unlock door. When the battery in key runs out or the accumulator runs out, press down the button on the top left corner of key, take out the mechanical key and insert it into the key hole, turn the key toward the direction of car end to open car door.

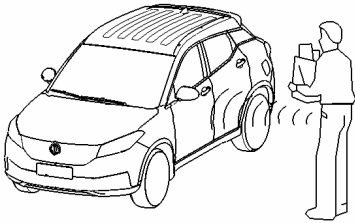
 **Warning**

Pull handle with your hand after closing door with remote key to ensure that the door is fully closed to avoid property loss.


Operating Range:

The remote key takes effect only when it is within the specific distance to the car.

When the battery in remote key runs out or there is strong radio wave around, the effective distance of remote key will be shorter and even that the remote key is invalid.



Remote Locking / Unlocking

After all doors are closed, press key locking button “

- 21 -

light will flash for two times.


Defense Prompt

If you don't lock the doors within 10s after flaming out the car and closing all doors, the steering lights will flash three times (subject to door locking rather than anti-theft setting).


Central Control Function

(1) Insert key and turn the lock cylinder of front passenger door, or operate the central door lock and unlocking button on the switch of front left lifter, the locking device of five doors (including hatchback) unlocks normally. (2) Insert key and turn the lock cylinder of front passenger door, or operate the central door lock and unlocking button on the switch of front left lifter, the locking device of five doors (including hatchback) locks normally.

Window Automatic Rising Function

Close all doors and press the key locking button “

Window Automatic Lowering Function

Close all doors and press the key locking button “

Automatic Locking Function

When the brake is stepped down and the motor start-stop button is set at “ON”, close all doors and drive at the speed over 15Km/h, all doors will lock automatically. If you stop driving but not blame out, open the door, get off the car, and then get in the car again and continue driving at the speed over 15Km/h, all doors will be locked again automatically. When you stop driving, the brake is stepped down and the motor start-

stop button is set at “ON”, all doors will be closed automatically.

Crash-related Unlocking Function

In case of crash, SRS ECU outputs signal to central control lock controller, and then such controller automatically controls all doors hatchback unlocking.

Anti-theft Function

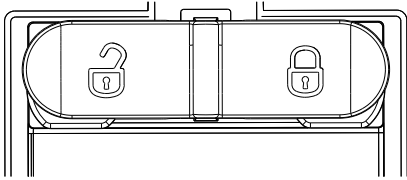
1. When you lock doors with remote key (after entering defense status) and insert the key into ignition lock, the horn rings within 30s, and the steering light flashes.
2. When you lock doors with remote key (after entering defense status) and open the door manually, the horn rings within 30s, and the steering light flashes for 30s.
3. When it alarms after manual opening doors, insert the key into ignition lock, it will not alarm again. Similarly, after it alarms after you insert the key into ignition lock, manually open the door, and it will not alarm again.
4. After triggering the alarm, press the remote key locking button to exit alarm status.

Secondary Locking Function

Where the doors are not opened after you press down the unlocking button for 30s, the locking device will work automatically, and the horn rings one time.

Central Control Door Lock

Press down the right button to lock five doors (including hatchback), press down the left switch to unlock four doors, and pull handle to open doors.



 **Warning**

Central control door lock is installed on the front passenger door. Don't leave your key in car when locking doors with central control door lock.

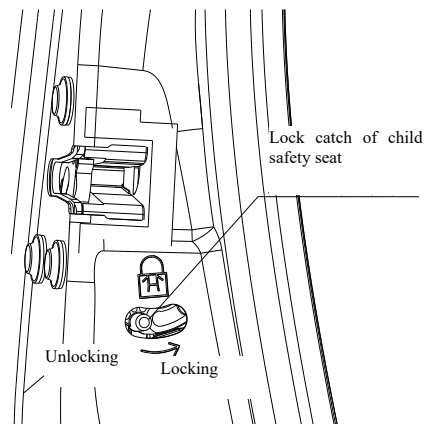
Rear Door Lock

When locking the door, close the door slightly and press the lock button forward to lock the door; and when opening the door, first pull back the lock button to unlock the door, and then pull up the handle to open the door. When the door is unlocked, the door can also be opened by pulling the handle outside the car.

 **Warning**

The door should be locked tightly, and your car must be locked to prevent the door from being accidentally opened during driving process.

Rear Door Child Lock

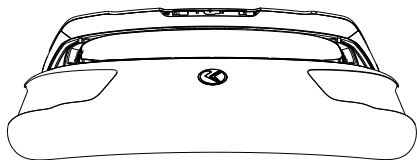



When using the child lock, pull its lock knob toward right to deactivate the inward opening handle, and the doors can only be opened outside the car. Pull the lock knob toward left to release the child lock.



If there is a child on rear row seats, do use the child lock to avoid accident caused by child due to opening door during driving process.

Hatchback Lock



Firstly, press down key unlocking button “”, to release defense status. When you are in car, operate the central control unlocking button on the lifter of front passenger door. And then, press the hatchback micro switch within 30s to unlock it. After 30s or pressing down remote control locking button, press hatchback micro switch, the hatchback will not be locked.

Warnings

- Ensure that hatchback is fully closed to avoid it from opening during driving process.
- Don't drive when the hatchback is opened, or will take vehicle exhaust into car.

Hatchback Locking or Unlocking

Notes

- Make a careful inspection before fully opening hatchback to avoid accident due to crash between vehicle and pedestrian.
- Park car at a safe and flat place, and ensure that there is no obstacle around hatchback and there is enough space to open hatchback.

-
-
- Firstly use the hatchback micro switch and then pull the hatchback till that it is fully opened.

When closing the hatchback, press down the hatchback till that it is fully closed.



Check if the hatchback is locked before driving to ensure driving safety. Check if the hatchback is closed before leaving the car to avoid property theft.

Motor Cover Lock



- Before driving, please ensure if the motor cover is fully closed. If the motor cover is not fully closed, it may open and cause accident during driving process.
- In case of any steam or smoke from motor cabin, don't open the motor cover to avoid injury.

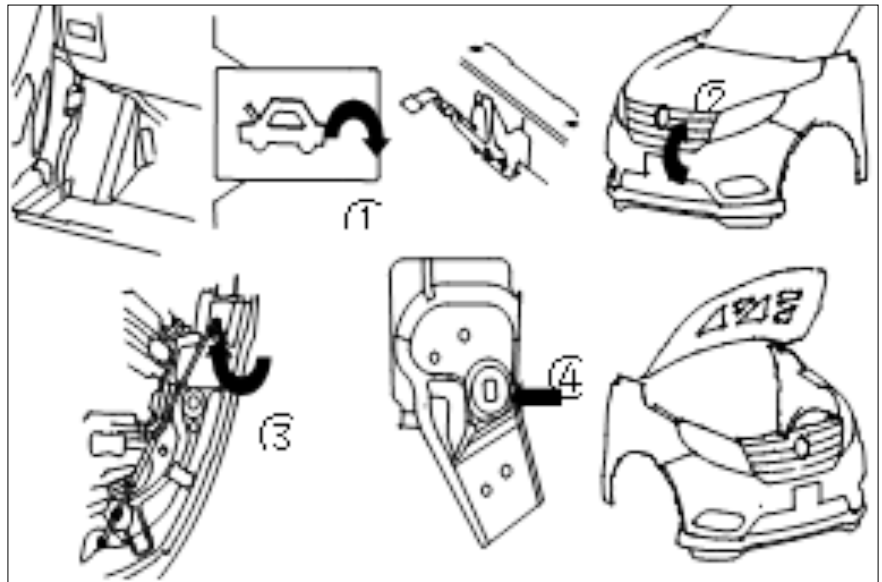
Motor Cover Opening

1. Pull the unlocking handle ① of motor cover lock on the interior trim panel on the pillar A, till that the motor cover is opened.

-
- Lift the motor cover ② by hand, then attach the movable end of the pole to the sheet metal mounting hole to lift the motor cover ③.
 - If it is a high-configuration gas spring pole ④, we only need to operate the above step 1, and then gently lift the motor cover to lift it.

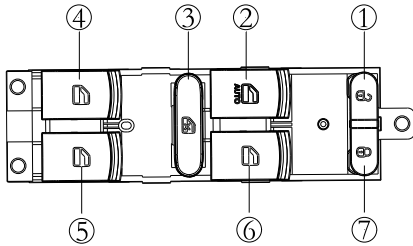
Motor Cover Closing

Slowly move the motor cover downward to the locking position.



Windows

Power Windows



Warnings

- Don't leave children or other incapable adults in car alone. Because they may unintentionally touch the switch and controlling devices, and accordingly cause accidents.
- When using the windows electric power switch, you may hurt others, especially children's hands, head or other parts. Therefore, only when you confirm that there is no obstacle nearby windows, can you close windows.
- Before getting off, do take out ignition key, to prevent children from playing the power switch and accordingly getting hurt.
- Release the switch when you fully open or close power windows, or will damage the power window system.

When the brake is stepped down and the motor start-stop button is set at “ON”, the power windows will work.

If you are to open windows, touch power windows switch. If you are to close windows, pull the power windows switch upwardly.

Driver Seat Power Window Switch:

Switch ①: Switch of central lock; when the doors are closed, touch the button, four doors will be opened.

Switch ②: Front passenger door glass lifter switch

The driver door glass windows are equipped with one-button decreasing function. If you click the switch, the glass will lower down, and if you release the switch, it will stop working. When you press down the automatic gear, the glass will automatically lower down to the limit; and if you pull the switch during the lowering process, the glass will stop working.

Switch ③: Glass lifter locking switch; when you press down the button, the other three glass lifter switches will not work; when you press down the button again, it will reset, and the three glass lifter switches will separately control such three glass windows.

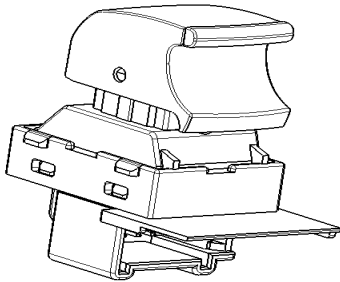
Switch ④: Left rear door glass lifter switch;

Switch ⑤: Right rear door glass lifter switch;

Switch ⑥: Front passenger door glass lifter switch;

Switch ⑦: Switch of central lock; when the doors are closed, touch the button, four doors will be closed.

Passenger Seat Power Window Switch:



The right front door, left rear door and right rear door are equipped with independent glass lifter switch. If you touch the switch when you do not touch the left front door glass lifter locking switch, the glass will be lower, and if you release it, the glass will stop lowering; if you pull the switch upwardly, the glass will raise, and if you release it, the glass will stop raising. When you press down the front passenger door glass lifter switch, other three glass lifters will not work.

After the lock switch is pressed, if the auxiliary switch of power window is working, it can continue working; if the auxiliary switch of power window is not working, but the auxiliary switch can still be operated to control the window lifting within 60s.

The auxiliary switch of power window cannot keep controlling the window lifting after 60s.

Windows Glass One-button Operating

There are four modes for winder class to start anti-pinch function:

Manual raising: if you pull the power window switch for a moment, the corresponding window glass will raise; if you release it, it will stop raising;

Manual lowering: if you touch the power window switch for a moment, the corresponding window glass will lower; if you release it, it will stop lowering;

Automatic raising: if you pull the power window switch for a long time, the corresponding window glass will raise automatically, and the window glass will raise to the top automatically;

Manual lowering: if you touch the power window switch for a long time, the corresponding window glass will lower, and it will lower to the bottom.

Anti-pinch Function of Windows

In case of any resistance in glass window lifting, the anti-pinch function will be activated.

If the anti-pinch function is activated in case of any obstacles during glass window lifting, the windows will work reversely. Under some circumstances, the anti-pinch function system will be at non-initialization mode, which causes the windows can be lifted manually only and lose the function of automatic lifting temporarily, and they can be resumed by self-learning function.

The cases that the system is at non-initialization mode are as follows:

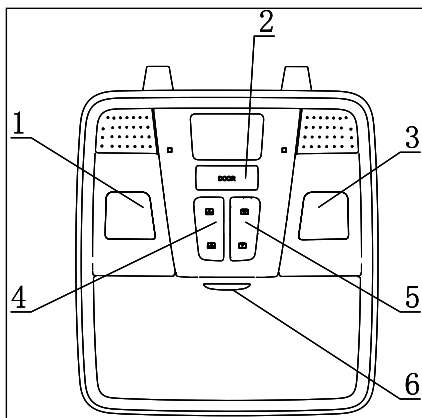
-
-
- ① The glass lifter suffers from power failure for 24s during operation;
 - ② The diagnostic apparatus turns off the anti-pinch function;
 - ③ The windows position exceeds the scope of the initial learning position;
 - ④ The system losses power over 15s under the un-sleeping state or over 600s under sleep state;
 - ⑤ The system shows the signal error of the power windows position;
 - ⑥ The same window starts anti-pinch function for two times.

Windows Self-learning Function

When the anti-pinch function is invalid, it can be recovered by self-learning;

When the motor start-stop button is set at “ON”, press the front left (rear front/front right/rear right) window lifting button to lift the window to the top and then release it, press such button again to the top and stall for 2s and then down the window to the bottom, lift the window to the top again to finish the self-learning;

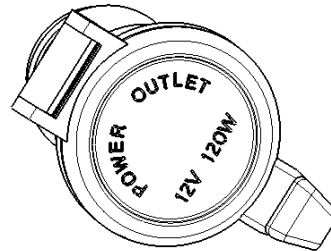
■ Sunroof

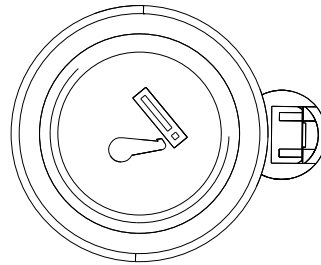
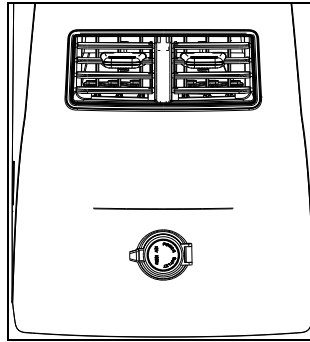


-
1. Button 4 controls the curtain of panoramic sunroof. If you touch it ≥ 250 ms, it starts manual mode; and if you touch it < 250 ms, it starts automatic mode.
 2. Button 5 controls the curtain of panoramic sunroof. If you touch it ≥ 250 ms, it starts manual mode; and if you touch it < 250 ms, it starts automatic mode.
 3. Stop: when the sunroof works under automatic mode, if you touch button A or B, the sunroof will stop operating at once.
 4. Anti-clamping in closing: ① anti-clamping in raised opening: During the raised closing process, if it detects the clamping from the full opening position to closing position, the sunroof will go back at once. ② Anti-clamping in non-visual closing: During the transverse shifting process, if it detects the clamping at the position 4mm-200mm away from closing position, the sunroof will go back at once.

12V Standby Power

Front-row 12V standby power socket ①





 **Warning**

The power of electrical devices shall not be more than 120W to avoid damaging fuse.

Cigarette Lighter

Touch cigarette lighter button, the cigarette lighter's resistance wire will be red and hot, and will go back to original position about 18s later. And then, you can use it. The cigarette lighter has an indicator which will be on when you turn on the side marker light.

In addition, when you remove the cigarette lighter, you can use it as vehicle-mounted DC 12V power.

 **Warning**

After using the cigarette lighter, please place it back in time, to avoid burning other objects in car or causing fire.

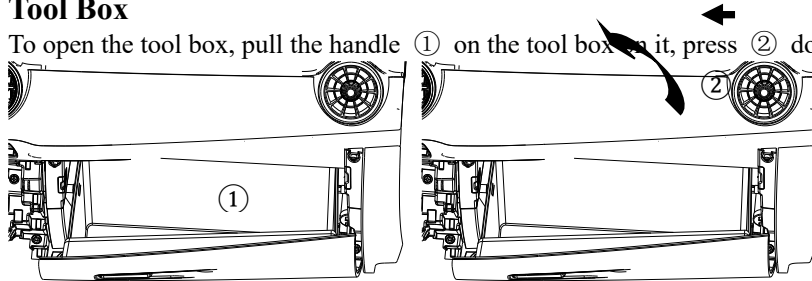
Storage Device

 **Warning**

● To focus on driving, don't use storage device.

Tool Box

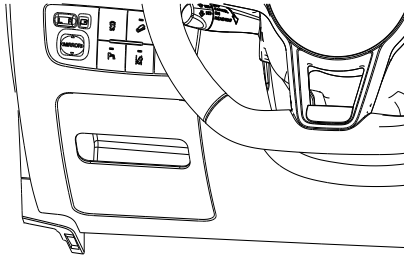
To open the tool box, pull the handle ① on the tool box, press ② down for closing.



Small Storage Box

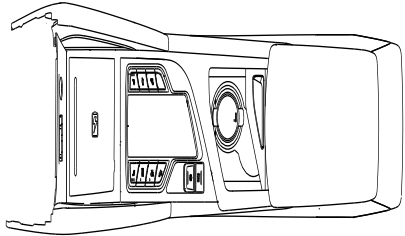
You can place some small articles on the small storage box on the left of instrument panel.



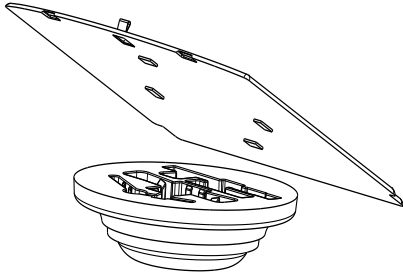


Middle Cover Cup Holder and Storage Box

If your car has EPB, its control box has one cup holder and one open storage box and one concealed storage box for storing some small articles. Such storage box can contain some small articles.



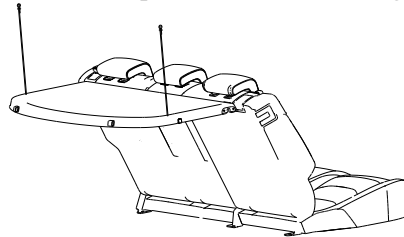
Storage Box



To open storage box, pull the storage box cover pull ring upwardly.
If you are to close the storage box, pull the storage box cover pull ring downwardly.
If you are to open the tools box, pull the storage box cover pull ring to a higher level.

Shelves

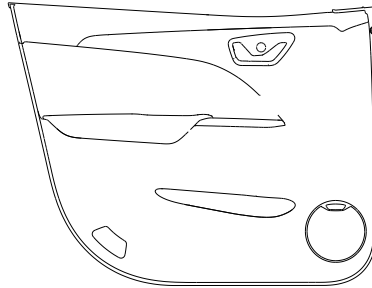
Shelves are placed above the storage box and behind the rear seats.



Warning

The shelves can be used only for holding light articles when the parking state. The heavy articles may damage the storage box and side panels, while the light articles may fly in the cab and accordingly affect driving safety when the vehicle runs at high speed.

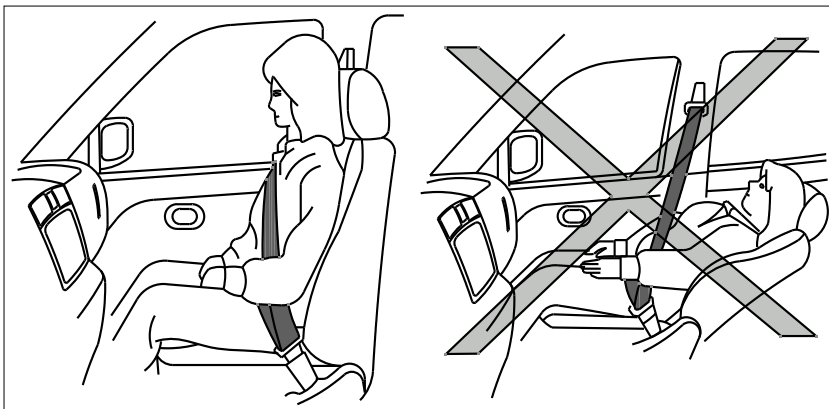
Bottle Holder and Map Bag



The bottle holders are located at the interior fender apron of four doors.

Seat and Supplemental Restraint System (SRS)

Seat



Warning

● It is dangerous to upend the backrest when driving and taking the bus. The seat belt cannot be used properly, so you and your passengers may be injured in the neck or other parts due to collision by seat belt in

case of accident. You and your passengers also may get out of the seat belt and accordingly get serious hurt.

● The most efficient protection during vehicle driving is to keep the backrest upright. Keep your back on the backrest and adjust the seat belt to

the property position. (See details in Chapter “Seat Belt”)

Warning

When adjusting the seat position, don't touch any parts to avoid any potential injury or damage.

Front Seat

Warning

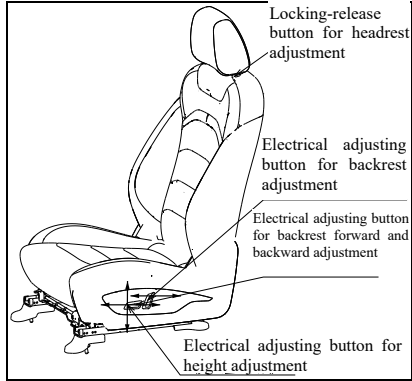
Don't adjust the seats on the driver's side during driving process, which will divert driver's attention from driving.

Seat Adjustment

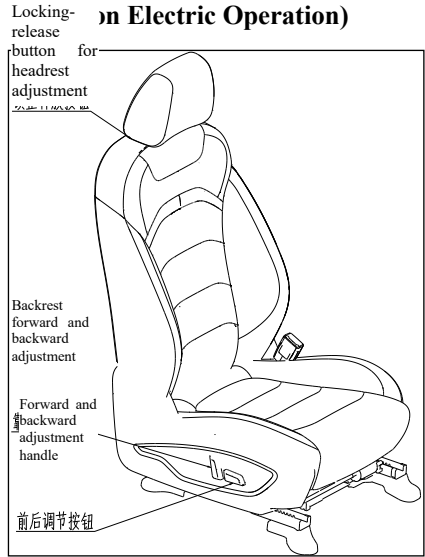
Warning

After adjusting seat, slightly shake it to confirm if it is locked. If the seat is not locked, it will suddenly move and accordingly driver will lose control of the vehicle.

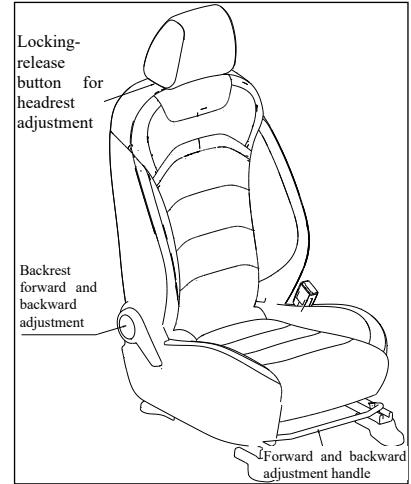
Front Seat - Driver Seat (6-direction Electric Operation)

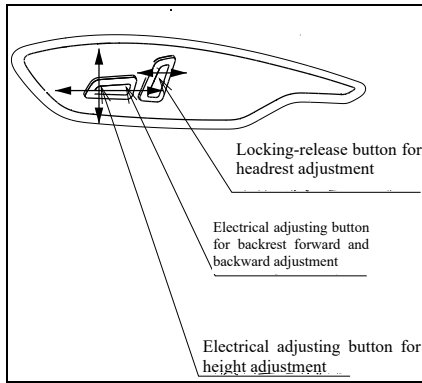


Front Seat - Front Passenger Seat (4-direction Electric Operation)



Front Seat - Front Passenger Seat (4-direction Electric Operation)





electrical adjusting button outside the seat and release it when adjusting the seat to the proper angle; manual adjustment: upwardly rotate the handle and release it when adjusting the seat to the proper angle.

Adjustment of Seat Longitudinal Position

Electric adjustment: push the height adjustment button on the outside of the seat back and forth, move the seat back and forth to the appropriate position, and then release the button; manual adjustment: pull up the front and rear adjustment handle, move the seat back and forth to the proper position, and then release the handle.

Adjustment of Seat Height

Upwardly and downwardly use the electrical adjusting button on the outside of the seat when adjusting the seat to the proper height, and then release the button.

Adjustment of Headrest Height

Adjust the headrest to the proper position

while pressing the locking-release button, and release the button to lock it.

When adjusting the headrest, keep the center of headrest and the upper part of ear in a line as far as possible.

Removal of Headrest

Press the locking-release button, and take out the headrest upwardly.

Front and rear position of seats and backrest angle status (while measuring seat cushion depth)

Adjust the front seat to the last position, and keep the backrest being 25° against the vertical.

Normal Use Status of Backrest

Adjust the backrest to be 25° against the vertical after unlocking the adjustment angle of front seat and middle-row seat, which is the normal use status of backrest.



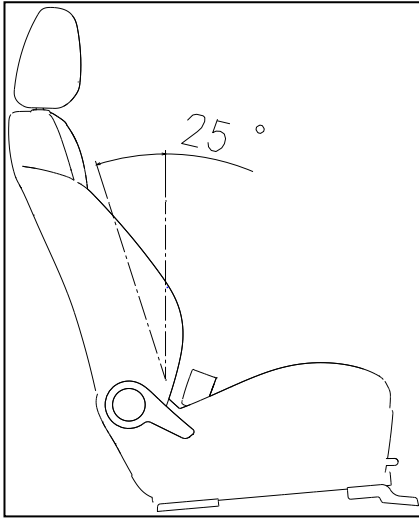
Backrest forward and backward adjustment



Forward and backward adjustment handle

Adjustment of Backrest Angle

Electric adjustment: backwardly use the



Rear seat Folding

Warning

- Don't apply the load of 20kg on the folding backrest.
- Don't damage the seat belt when

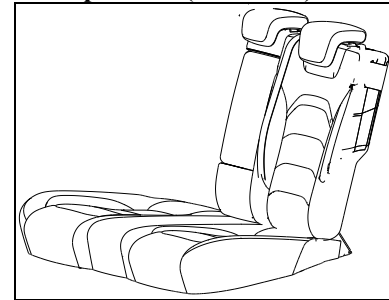
folding the 2nd row seat.

- When the seat is folding, prevent anyone from sitting in the baggage area or on the 2nd row seat. Where passengers use the said areas without proper protection, they may get serious hurt in case of accident or brake.
- Don't fold the 2nd row seat during driving, because the person folding the seat may get hurt when the driver suddenly speeds down or up.
- The 2nd row seat cannot be folded when there is anyone in the area of 2nd row seat or there is baggage on the 2nd row seat.
- The baggage shall be fixed properly to prevent from sliding or moving. Don't place the baggage at the place higher than the backrest.

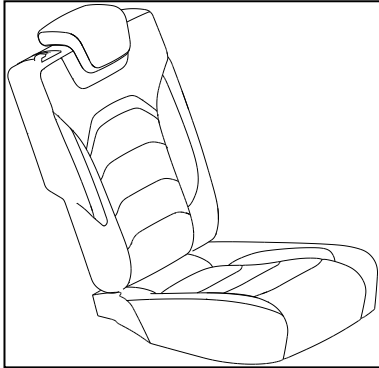
- When returning to the original seat position, please confirm that the seat is secured at the locking position. If the seat is not fully locked, the user may get hurt in case of accident or sudden brake.
- The headrest shall be placed safely to prevent from tossing out in case of sudden brake or accident.

The headrest shall be adjusted to the specified position to avoid the neck from injury. If the headrest is moved due to some reasons, timely adjust it and place to the original effective position.

Left Split Seat (Rear Seat)

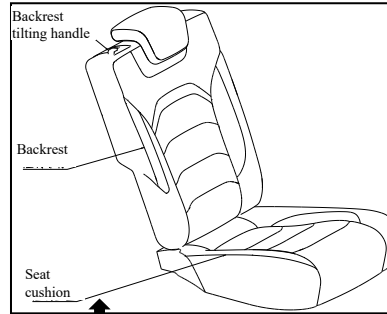


Right Split Seat (Rear Seat)



Folding Seat

Rear seat backrest cannot be adjusted, and it can only be folded and laid flat. Lock the headrest in the lower limit position, pull the seat cushion forward, rotate it upwardly to make it lean against the front seat, then pull the backrest tilting handle up to unlock it, and put the back forward to make it flat.



Adjustment of Headrest Height

Use the method the same as that of front seat.

Removal of Headrest

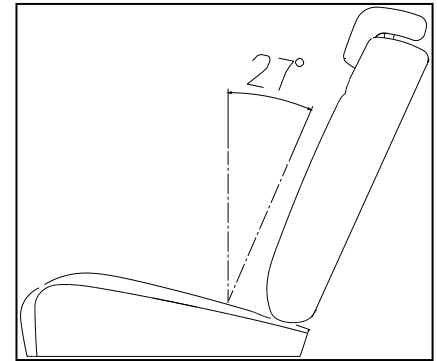
Use the method the same as that of front seat.

(While measuring seat cushion depth) Front and rear position of seats and backrest angle status: adjust the middle-row seat to the last position, and keep the backrest being 27° against the vertical.

Normal Use Status of Backrest

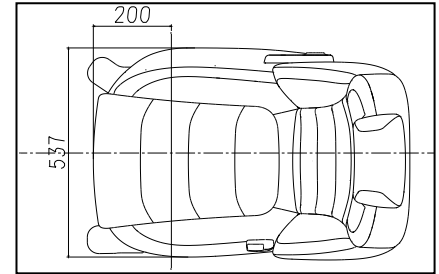
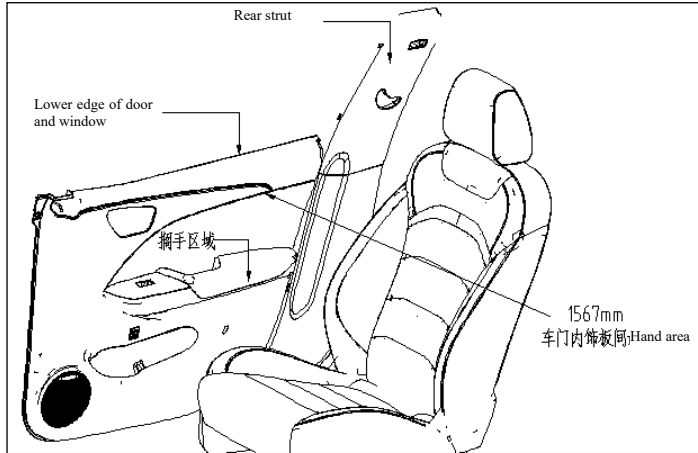
Adjust the backrest to be 27° against

the vertical after unlocking the adjustment angle of middle-row seat, which is the normal use status of backrest.

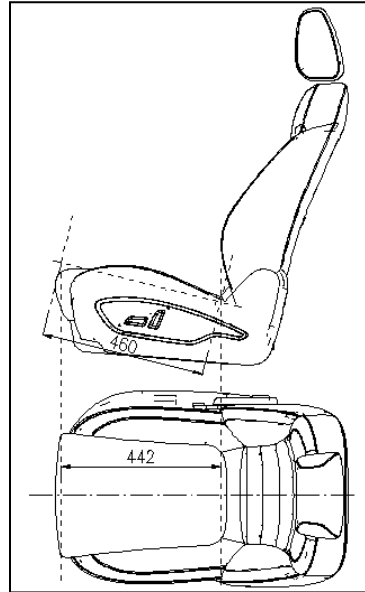
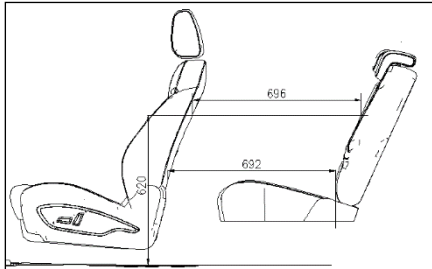


Approved Number of Passengers Front seat:

The interior width of the passenger compartment of the front seat is greater than or equal to 1200mm, and the seat cushion width and seat cushion depth of each front seat passenger is greater than or equal to 400mm, and it is approved to carry 2 passengers.

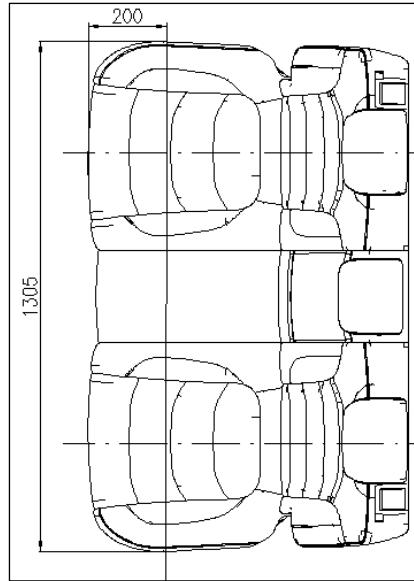
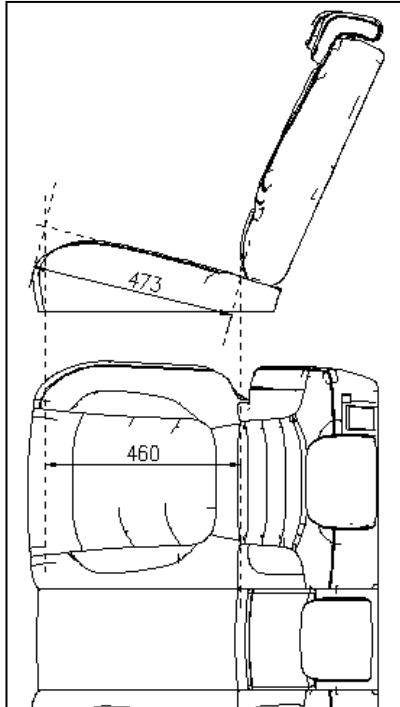


Minimum spacing
between interior
trim panels of door

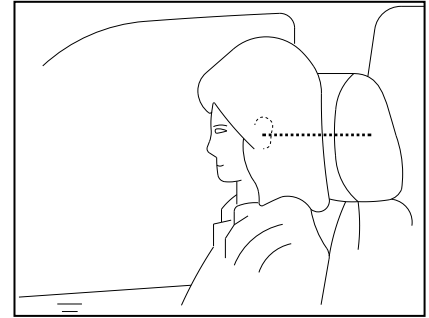


Rear Seat:

The distance between the back seat and the front seat is more than 600mm, the seat cushion depth is more than 400mm, the length is 1305mm, and it is approved to carry 3 passengers.

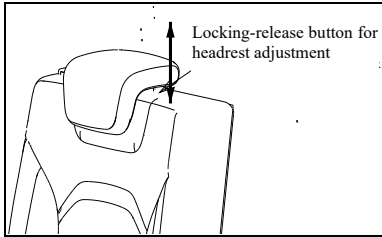


Headrest



Warning

Don't use the car when the headrest is dismantled, because it is dangerous. The correct use of headrest can effectively reduce injury in case of accidents. Others shall timely check the headrest height after using it. The correct method to adjust headrest is as shown in figure:



Adjustment of Headrest Height

Adjust the headrest to the proper position while pressing the locking-release button, and release the button to lock it. When adjusting the headrest, keep the center of headrest and the upper part of ear in a line as far as possible.

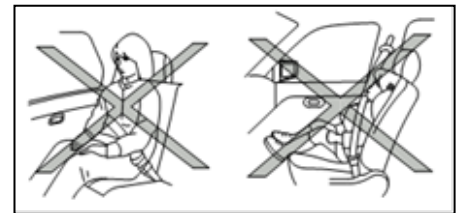
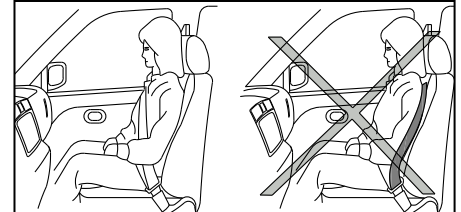
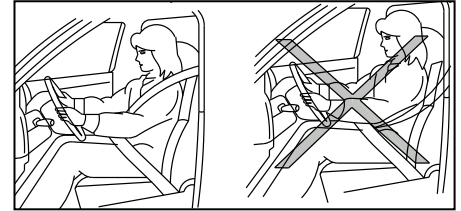
Removal of Headrest

Press the locking-release button, and take out the headrest upwardly.

Seat Belt

Notes for Seat Belt:

If you correctly tie and adjust the seat belt, sit straightly and lean back on the backrest, it is less possible for you to get hurt in case of accident, and the degree of injury will be greatly reduced. DFSK recommends you and all passengers to fasten the seat belt at any time during driving process. You have SRS at your seat. However, if you fail to fasten the seat belt, you will get greater hurt in case of accident.





Warning

- The seat belt is designed according to the load bearing of human skeleton, so the seat belt shall be across over the anterior inferior pelvis or pelvis, chest and shoulders rather than the abdomen. If the seat belt it not used correctly, you may get serious hurt.
- Fasten the seat belt around your hip comfortably rather than waist as low as possible. You may get internal injury if fastening the seat belt too high.
- The same seat belt can only be used by one person. A seat belt assy. can be used by only one passenger. It is dangerous for a passenger to hold a child on knees and use the same seat belt with a child.
- The number of passengers cannot

be more than the quantity of seat belts.

- Don't use the seat belt reversely. Don't twist the woven tape of seat belt, because it may reduce its capacity.
- Fasten the seat belt as far as possible when adjusting it, and consider comfort to meet the designed protection purpose. The loose seat belt will greatly reduce the protection for users.
- All passengers in car shall bear the seat belt all the time. The child shall be properly protected on the rear seat, and shall be provided with child safety seat if possible.
- Don't place the seat belt on the back or under arm. The shoulder tape of seat belt must go across the

shoulders and chest. The seat belt shall keep away from face and neck, and it cannot fall down from shoulder. If the seat belt is not correctly fastened, you may get serious hurt.

- Any user cannot modify the seat belt or add any accessories, because it may hinder the seat belt adjusting device or affect the function of seat belt assy.
- Please get the seat belt free from wax, oil and chemicals, especially the electrolyte of battery. Use the soft soap and fresh water to clean it. If the seat belt is with burr, polluted or damaged, replace it without delay.
- In case of any collision, please go to service stations authorized by

DFSKfor inspection of seat belt assy. including retractor and all accessories. DFSKrecommends to replace the seat belt assy. used in collision, except that the collision is not serious, and the seat belt is not damaged and works normally. If finding that the seat belt not used in collision is damaged or out of normal operation, inspect or replace it.

- After serious collision, the assembly of seat belt used in collision must be replaced regardless of damage degree.

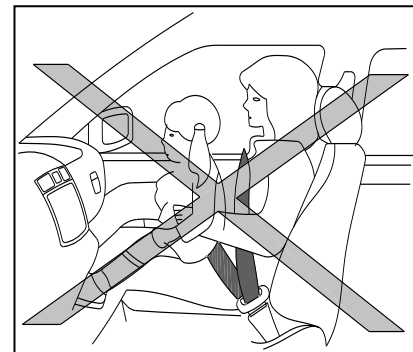
- After the pre-crash seat belt is used, it cannot be reused. The seat belt and its retractor must be replace together. Please get in contact with the service stations authorized by DFSK

- Only the service stations authorized by DFSKcan dismantle and install the assy. of pre-crash seat belt.

Child Safety Seat

Warnings

- Infant and child shall be provided with the special protection. The seat belt in the car is improper for them. The shoulder tape will get close to their face and neck, because the lap belt is improper for their pelvis. In accident, the improper seat belt may result in serious or fatal injury.
- Use the proper child safety seat, because the child needs help and protection from adult. They need proper devices. Whether the protection is proper or not is based on their body size.



Infant

DFSKrecommends that the infant should sit in the child safety seat. You should choose the proper car and child safety seat, and strictly install and use the child safety seat as per the specification.

Older Child

Warnings

- Prohibit the child from standing or kneeling down on any seats.
- During driving, don't let your child stay at cargo area. In case of accident or sudden brake, your child may get serious hurt.

The child is improper to use the child safety seat due to age shall use the seat belt. If the seat belt gets close to child's face or neck, use the auxiliary cushion (available in market). The auxiliary cushion shall jack up the child, to correctly position the shoulder tape, go across the upper and middle shoulder, and lower hip. The auxiliary cushion must be suitable for the seat. When the seat belt does not get close to the face and neck of the child, and the child can normally use the seat belt, the child can

use the seat belt without the auxiliary cushion. In addition, there are many child safety seat suitable for the older children, and such seats can protect them to the maximum extent.

Pregnant Woman

DFS K recommends pregnant woman to use seat belt. The seat belt should be suitable for her, and the belt shall go across the hip rather than waist as far as possible. The lap belt shall go across the shoulder and chest. The shoulder tape or lap belt shall not go across the abdomen. Please consult your doctor for details.

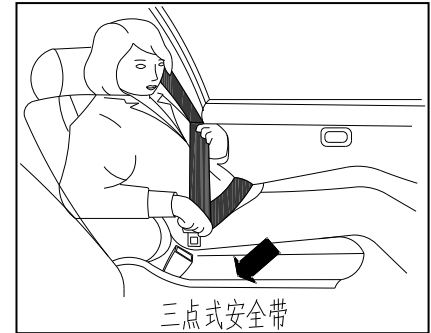
The Wounded

DFS K recommends the wounded to use seat belt. Please consult your doctor for details.

Warning

The driver or passenger shall use the seat belt all the time.

Three-point Seat Belt



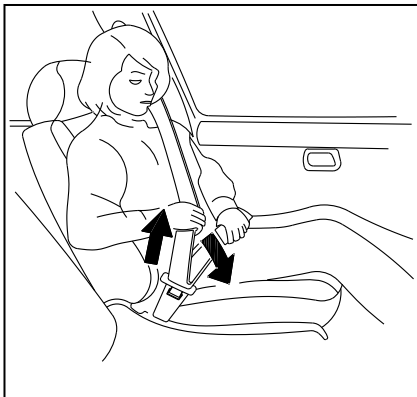
Fastening of Seat Belt

Warning

The backrest shall not be excessively slant for own comfort. The seat belt can only play the best role when the passenger sit closely against the backrest. Adjustment of Seat. (See

details in Chapter “Seat”) Pull out the seat belt from the retractor, insert the spring bolt into the lock catch and confirm that the seat belt is locked.

The retractor of seat belt is designed for locking the seat belt in case of sudden brake and collision. Slowly pull the seat belt to remove it, and ensure that you can freely move when sitting on seat.

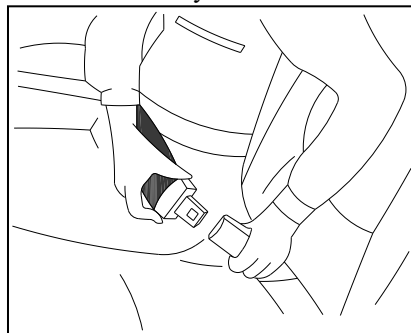


1. As shown in figure, make the belt across the hip.

2. Pull the shoulder tape toward the retractor to ensure that it is properly loose. Ensure that the shoulder tape goes across shoulder and properly across chest.

Unlocking of Seat Belt

Press down the button of seat belt lock catch to enable the seat belt to go back automatically.



Inspection of Seat Belt Operation

The retractor of seat belt will lock the seat belt and limit its movement when:

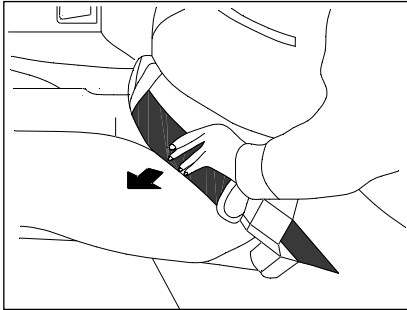
- You pull the seat belt out from the retractor quickly; and
- You reduce the vehicle speed suddenly.

To securely use the seat belt, please make inspection as per the following: grasp the shoulder tape and pull it forward quickly, and then the retractor will lock the seat belt and limit its movement. If the retractor cannot work when you use the aforesaid inspection methods, please consult service stations authorized by DFSK

⚠ Warning

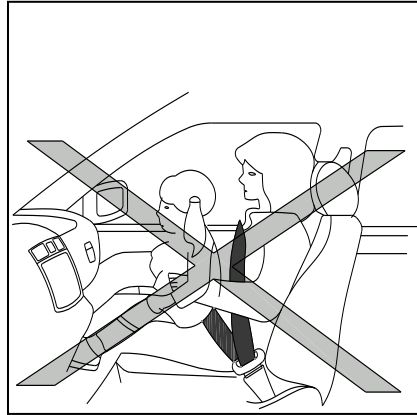
The backrest shall not be slant downwardly but stay at the pleasant position. The seat belt can only play the best role when the passenger sit closely against the backrest.

Release of Seat Belt



If you are to release the seat belt, press down the button on the lock catch. Lock the seat belt when the seat belt is not used to prevent it from getting stuck in door.

Child Safety Seat



Notes for Using Child Safety Seat:

Warning

During driving, the infant shall be provided with the proper child safety seat, because the improper child safety seat will cause serious injury or death.

Warning

Remember: the child safety seat left in the closed driver cabin may get very hot. Before placing child on the child safety seat, please check the temperature of the seat surface and its lock catch.

- DFSK recommends that the infant should sit in the child safety seat. You should choose the proper child safety seat. Don't hold the infant on your legs because the infant will be squeezed by you and the vehicle, and even the strongest adult cannot withstand the impact caused by accident. Don't share the same seat belt with your infant.
- DFSK recommends to install the child safety seat on the rear seat. According to accident statistics, it

-
- is safer for child to sit on the rear seat than on the front seat.
- If you do not use and install the child safety seat correctly, your child and passenger may get more serious injury and even death in accident.
 - Please install and use the child safety seat as instructed by manufacturer. When choosing and purchasing child safety seat, please choose the one suitable for your child and car, because some child safety seat may be improper for your car.
 - The direction of child safety seat is not forward or backward, but subject to the model of child safety seat and the size of child. Please refer to the detailed specification of child safety seat.
 - You should adjust the backrest of child safety seat, and strictly install and use the child safety seat as per the specification. In addition, there are many child safety seat suitable for the older children, and such seats can protect them to the maximum extent.
 - After installing the child safety seat, before the child sits on the child safety seat, shake the seat to check if the seat is secured by the seat belt. The movement of child safety seat shall not be more than 25mm. If the child safety seat is not secured, tighten the seat belt or secure it to other seats and check it again.
 - Where the child safety seat is not used, please secure it with the child safety seat anchorage or seat belt to prevent from tossing out in case of sudden brake or accident.
 - If the front passenger seat is equipped with SRS, don't install the rearward-facing child safety seat. The SRS explosion will cause great impact. In case of accident, the child safety seat will get impacted, which will serious hurt the child, and even endanger the child's life.
 - If there is a child safety seat locking system at the position of seat belt but it is not used, the normal parking or braking may topple the child safety seat and accordingly hurt the child.

General Child Restraint System for All Seats

When choosing any child safety seat, pay attention to the following:

- Comply with the latest GB 27887-2011;
- Enable you child to sit in the child safety seat and check all adjustable parts to ensure that it is suitable for your child. Meanwhile, install and use it as per the procedures recommended by manufacturer.
- Check the child safety seat on your car to ensure that it is compatible with your seat belt system.
- As recommended as follows, install the child safety seat suitable for your car at the specified position.

Specified Position of Child Safety Seat

Age group	Seat position				
	Front passenger seat (with SRS)	Front passenger seat (without SRS)	Right split seat (rear seat)	Rear-row left split middle seat	Rear-row left split outboard seat
0, 0+ Group <13kg (0~24 months)	×	L*	L*, I*	×	L*, I*
Group I 9~18kg (9~24 months)	×	L	L*, I*	×	L*, I*
Group II, III 15~36kg (4~12 years)	×	L	L	×	L

U: suitable for “general” type, forward-facing and backward-facing child safety seat is suitable for the age group.

L: suitable for special child safety seat.

I: only suitable for ISOFIX child seat anchorage.

*: only suitable for backward-facing child safety seat.

Adaptive Information of Different ISOFIX Positions for ISOFIX Child Restraint System

Mass group	Size category	Fixing module	ISOFIX position in car			
			Front passenger seat	Rear-row outboard seat	Rear-row middle seat	Other positions
Portable bed	F	ISO/L1	NA	IL	NA	NA
	G	ISO/L2	NA	IL	NA	NA
		(1)	NA	IL	NA	NA
Group 0: < 10kg	E	ISO/R1	NA	IL	NA	NA
		(1)	NA	IL	NA	NA
Group 0+: < 13kg	E	ISO/R1	NA	IL	NA	NA
	D	ISO/R2	NA	IL	NA	NA
	C	ISO/R3	NA	IL	NA	NA
		(1)	NA	IL	NA	NA
Group I: 9kg-18kg	D	ISO/R2	NA	IL, IUF	NA	NA
	C	ISO/R3	NA	IL, IUF	NA	NA
	B	ISO/F2	NA	IL, IUF	NA	NA
	B1	ISO/F2X	NA	IL, IUF	NA	NA
	A	ISO/F3	NA	IL, IUF	NA	NA
		(1)	NA	IL, IUF	NA	NA

Group II: 15kg-25kg		(1)	NA	IL	NA	NA
Group III: 22kg-36kg		(1)	NA	IL	NA	NA

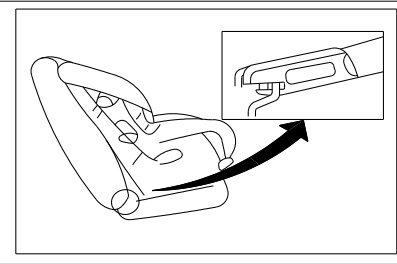
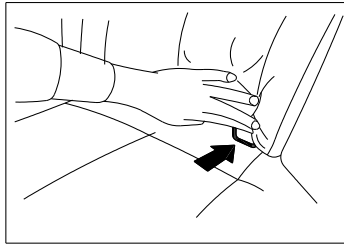
Note:

(1): With respect to child restraint system not meeting the size category of ISO/XX (A-G), for the suitable mass group, the vehicle manufacturer shall specify the recommended special ISOFIX child restraint system for each position.

IUF: suitable for forward-facing general ISOFIX child restraint system approved by the mass group.

IL: suitable for special ISOFIX child restraint system including the special vehicle, the limited or semi-general one.

NA: ISOFIX position is not suitable for the mass group or the ISOFIX child restraint system.



ISOFIX Child Seat Anchorage

Your car is equipped with special anchor point for the child safety seat with ISOFIX child seat anchorage. (2nd row seat)

Lower Anchor Point of ISOFIX Child Seat Anchorage

Anchor point of ISOFIX child seat anchorage is only for installing the child safety seat on the 2nd row outboard seat rather than on the middle seat.

Anchor point of ISOFIX child seat anchorage is located at the back of the cushion close to the backrest.

There is a label on the backrest for you to find the anchor point of ISOFIX child seat anchorage

Anchor Accessories of ISOFIX Child Seat Anchorage

The child seat with ISOFIX child seat anchorage has two rigid connectors for two anchor point on the seat.

Meanwhile, use the seat belt on the car to secure the child seat. Check if the label of child safety seat is the child safety seat with ISOFIX child seat anchorage. The specification of child safety seat has relevant description.

Installation of Child Seat with ISOFIX



Warnings

- The child safety seat with ISOFIX

can only be installed at the special position. With respect to the installation position of lower part of child safety seat, see “ISOFIX Child Seat Anchorage”. If the child safety seat is not suitable for the child, the child may get serious hurt and even died in case of accident.

- Don't install the child safety seat requiring top drawstring on the seat without top drawstring.
- Don't install the child safety seat on the 2nd row seat with the lower anchor point of special anchorage. The child safety seat cannot be secured firmly.
- Check the lower anchor point. Insert your finger into the area of

lower anchor point to confirm if there is any obstacle including belt or cushion material. If any, the child safety seat cannot be secure firmly.

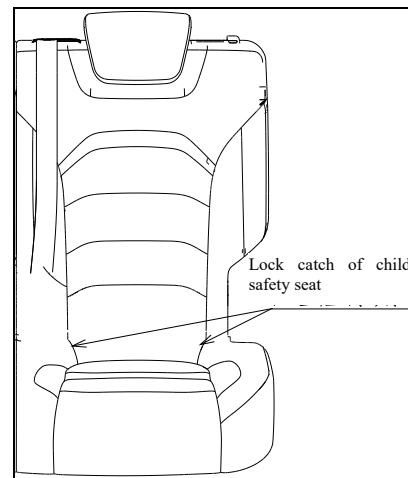
- The anchor point of child safety seat is designed only for bearing the load caused by the correct and proper child safety seat. Don't secure the adult seat belt, drawstring or others or device onto the car.

Forward-facing

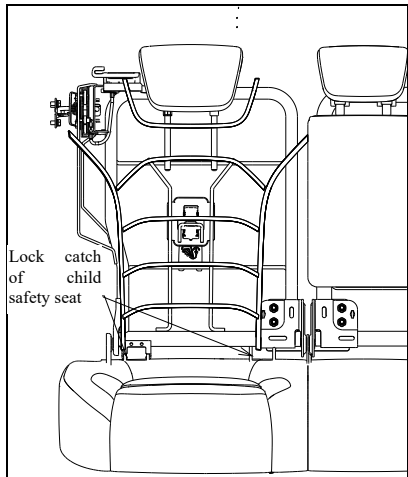
Confirm that you are correctly using the child safety seat as per the product specification. Following these steps, secure the child safety seat with frontward-facing ISOFIX on the rear-

row seat outboard seat.

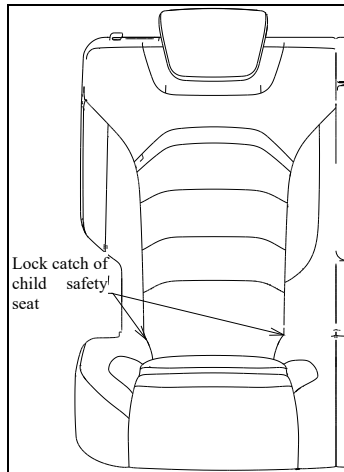
Lock catch of left split forward-facing child seat



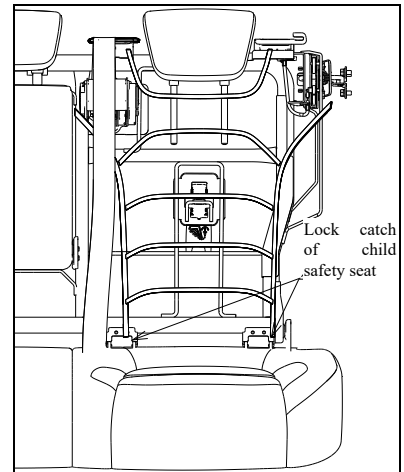
Lock catch of left split backward-facing child seat

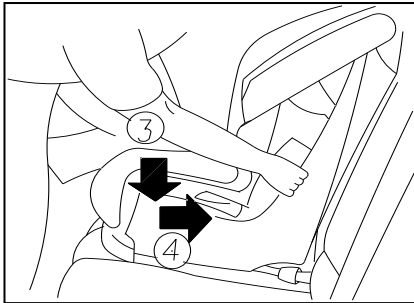
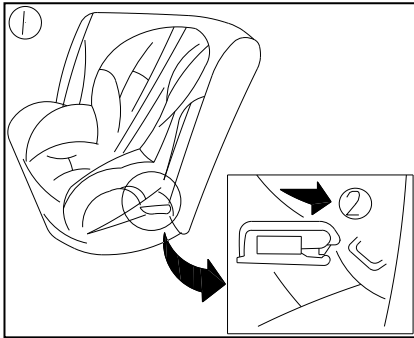


Lock catch of right split forward-facing child seat



Lock catch of right split backward-facing child seat





1. Place the child safety seat onto the seat ①;

2. Secure to the special lower anchor point ② with the connector of child safety seat;

3. Keep the backrest of child safety seat well lean against the seat backrest; if possible, adjust or take down the headrest to leave the correct and proper position for child safety seat (see details in “Headrest”). If the headrest is taken down, place it at the safe position. Install the headrest when taking down the child safety seat. If the headrest of the seat is not adjustable and affects the correct installation of child safety seat, please have a try on other seats or replace it with another different child safety seat.

4. Shorten the rigid connector to secure the child safety seat; use your knees to press down ③ and backwardly ④ the middle of child safety seat to keep

it closely lean against the backrest and cushion.

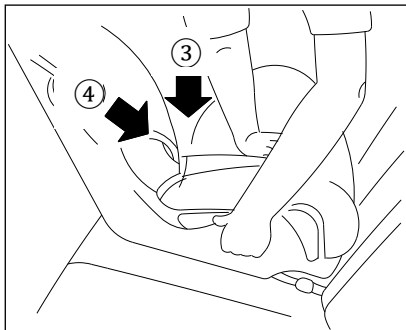
5. Check the child safety seat before placing child onto it. Shake it to ensure the child safety seat is secured properly.

6. Secure the child safety seat with seat belt of the car.

7. Check if the child safety seat is secured properly before using. If the child safety seat is flexible, please reinstall it as per the step 3 - step 6.

Backward-facing

Confirm that you are correctly using the child safety seat as per the product specification. Following these steps, secure the child safety seat with backward-facing ISOFIX on the rear-row seat outboard seat.



1. Place the child safety seat onto the seat ①;
2. Secure to the special lower anchor point ② with the connector of child safety seat;
3. Shorten the rigid connector to secure the child safety seat; use your knees to press down ③ and backwardly ④ the middle of child safety seat to keep it closely lean against the backrest and cushion.
4. Check the child safety seat before placing child onto it. Shake it to ensure

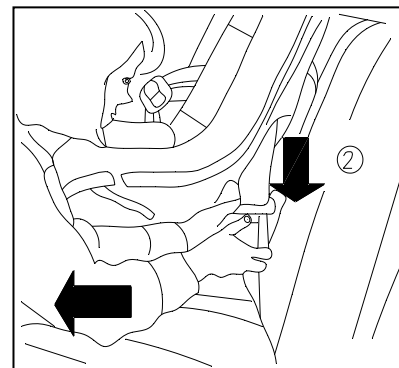
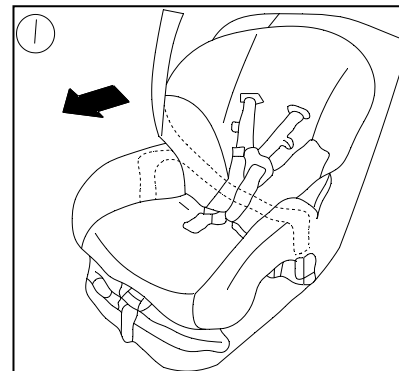
the child safety seat is secured properly.

5. Secure the child safety seat with seat belt of the car.
6. Check if the child safety seat is secured properly before using. If the child safety seat is flexible please reinstall it as per the step 3.

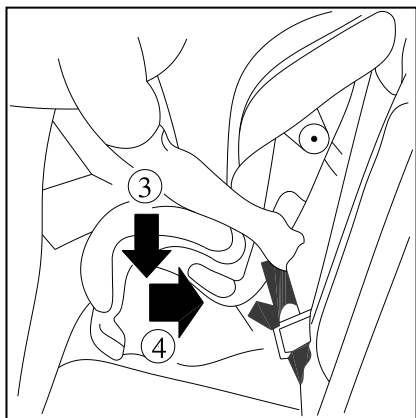
Installation of Child Seat with Three-point Seat Belt Installing on Rear Seat Forward-facing:

Confirm that you are correctly using the child safety seat as per the product specification. Following these steps, use the three-point seat belt without automatic locking function to install the forward-facing child safety seat on the rear seat.

1. Place the child safety seat onto the seat ①;



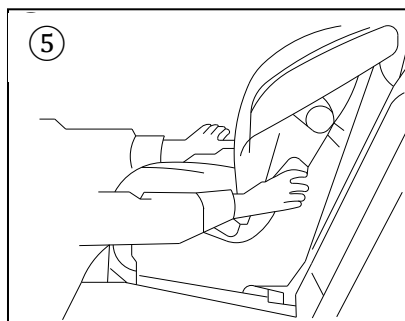
2. Let the seat belt spring bolt go across the child safety seat, and insert to the lock catch ② until feel and hear the locking sound;



3. To avoid the loose seat belt, use the locking device of the child safety seat to properly tighten the seat belt;

4. Ensure that it is properly loose; use

your knees to press down ③ and backwardly ④ the middle of child safety seat to keep it closely lean against the backrest and cushion.

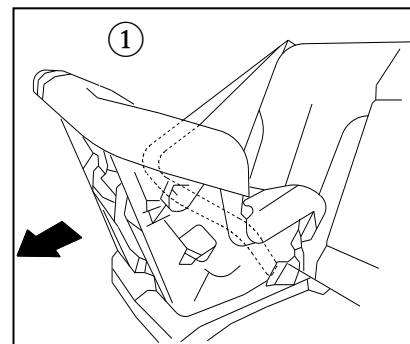


5. Check the child safety seat before placing child onto it. Shake it to ensure the child safety seat is secured properly.

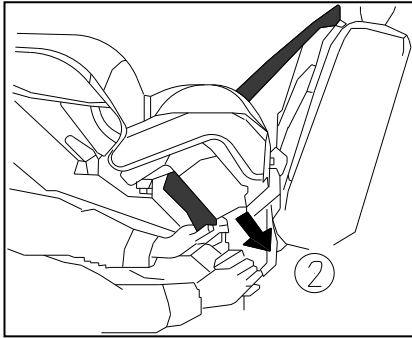
6. Check if the child safety seat is secured properly before using. If the child safety seat is flexible, please reinstall it as per the step 3 - step 5.

Backward-facing:

Confirm that you are correctly using the child safety seat as per the product specification. Following these steps, use the three-point seat belt without automatic locking function to install the backward-facing child safety seat on the rear seat.

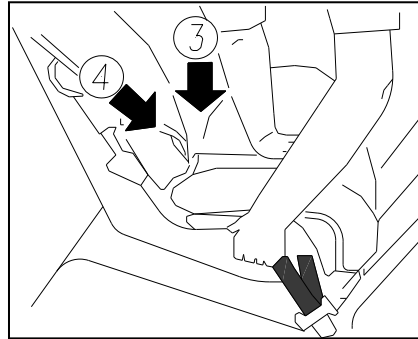


1. Place the child safety seat onto the seat ①;

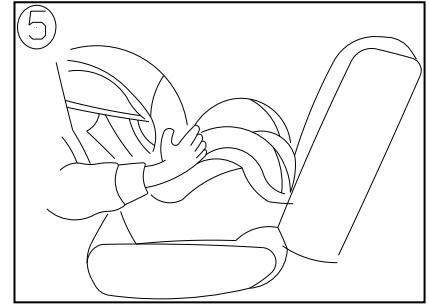


2. Let the seat belt spring bolt go across the child safety seat, and insert to the lock catch ② until feel and hear the locking sound;
3. To avoid the loose seat belt, use the locking device of the child safety seat to properly tighten the seat belt;
4. Ensure that it is properly loose; use your knees to press down ③ and backwardly ④ the middle of child

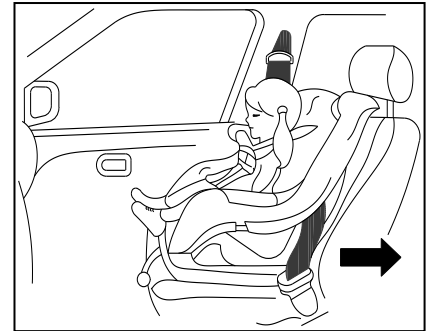
safety seat to keep it closely lean against the backrest and cushion.



5. Check the child safety seat before placing child onto it. Shake it to ensure the child safety seat is secured properly.
6. Check if the child safety seat is secured properly before using. If the child safety seat is flexible, please reinstall it as per the step 3 - step 5.



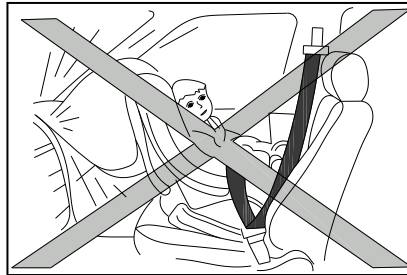
Installing on Front seat



Warnings

- If the front passenger seat is equipped with SRS, don't install the rearward-facing child safety seat. The SRS explosion will cause great impact. In case of accident, the child safety seat will get impacted, which will serious hurt the child, and even endanger the child's life.
- Don't install the child safety seat with top drawstring onto the front seat.
- DFSK recommends to install the child safety seat on the rear seat. However, if you have to install the child safety seat onto the front passenger seat, please move the seat backwardly to the maximum extent.
- The child safety seat for infant must

be backward-facing; and if the front passenger seat is equipped with effective SRS, don't install the child safety seat.

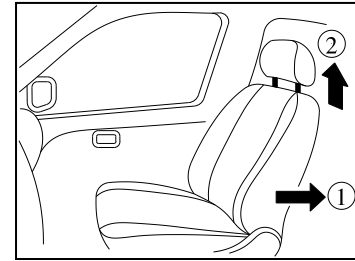


Forward-facing:

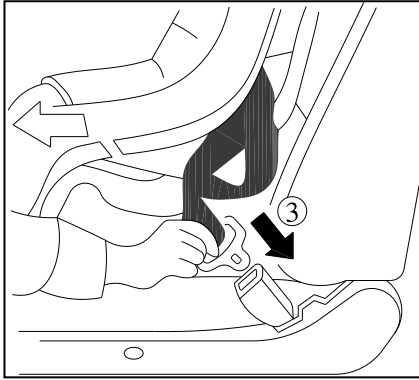
Confirm that you are correctly using the child safety seat as per the product specification. Following these steps, use the three-point seat belt without automatic locking function to install the forward-facing child safety seat onto the front passenger seat.

If your car's front passenger seat has no SRS, please install a forward-facing child safety seat as per the

following steps:

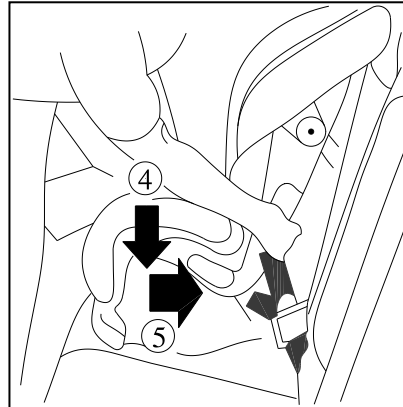


1. Move the seat backwardly to the maximum extent ①;
2. Adjust the headrest of seat to the highest position ②;
3. Install the child safety seat onto the seat;
4. Let the seat belt spring bolt go across the child safety seat, and insert to the lock catch ③ until feel and hear the locking sound;

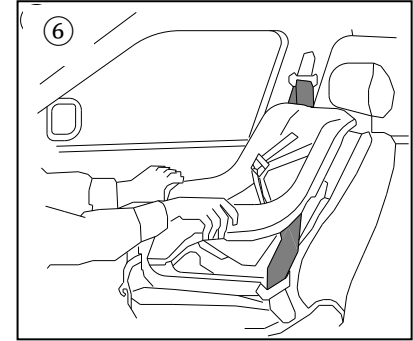


5. To avoid the loose seat belt, use the locking device of the child safety seat to properly tighten the seat belt;
6. Ensure that it is properly loose; use your knees to press down ④ and backwardly ⑤ the middle of child safety seat to keep it closely lean against the backrest and cushion.
7. Check the child safety seat before

placing child onto it. Shake it to ensure the child safety seat is secured properly.



8. Check if the child safety seat is secured properly before using. If the child safety seat is flexible, please reinstall it as per the step 3 - step 7.



Supplemental Restraint System (SRS)

Notes of SRS

This chapter will provide the information about SRS of driver seat and front passenger seat, and the pre-crash seat belt.

Auxiliary pre-crash SRS system:

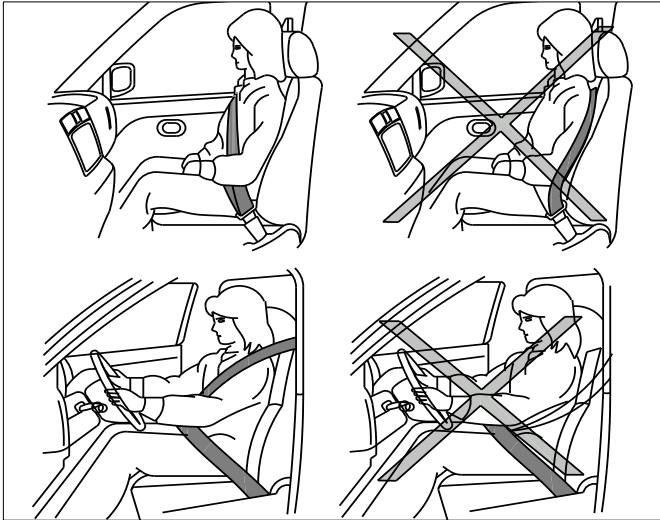
In case of head-on crash, the auxiliary pre-crash SRS will be inflated and

helpful for buffering the impact on driver and front passenger's (optional) head or chest.

SRS is designed for providing auxiliary protection for driver and front passenger in case of crash instead of replacing the seat belt. SRS is helpful for saving life and reducing hurt. However, SRS may cause bruise or any other injuries. SRS cannot protect the shorter persons, so the shorter should always use the seat belt. Meanwhile, the passenger should keep a certain distance from the steering wheel and instrument panel (see details in Chapter "Seat Belt"). To protect the passenger, SRS will be quickly inflated. If the passenger gets close to SRS or back to SRS when SRS is inflating, the passenger may be hurt by expansion.

SRS will quickly be flat after expansion.

SRS warning light will be on when the brake is stepped down and the motor start-stop button is set at "ON", and it will be off after about 3s. It means that the system is working (see details in Chapter "SRS Warning Light").



for reducing the injury or injury

Warnings

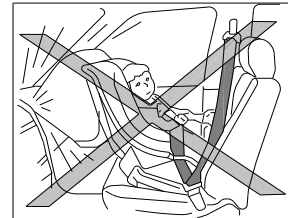
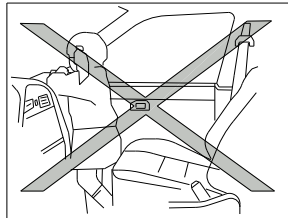
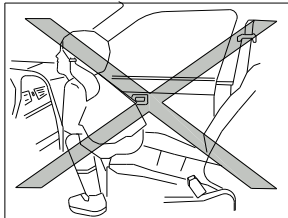
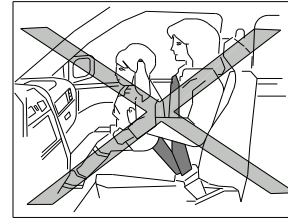
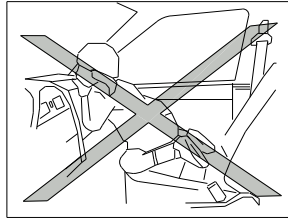
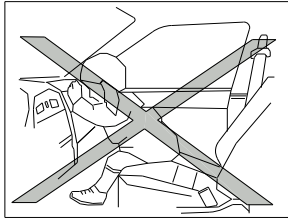
- When the car meets side impact, rear impact or slight head-on impact or is knocked down, the auxiliary pre-crash SRS system will not explode generally.

Using the seat

belt is helpful

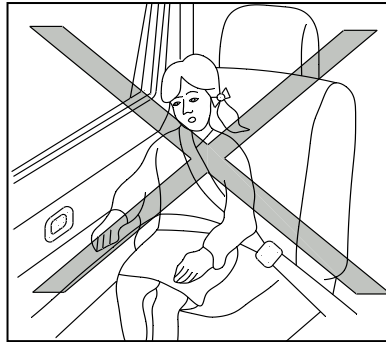
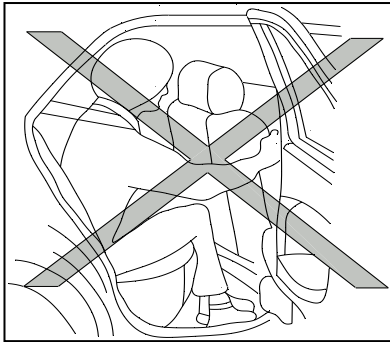
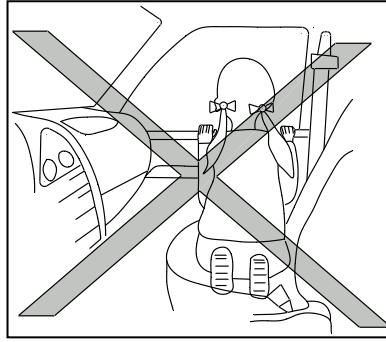
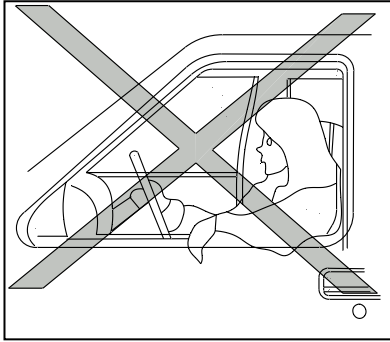
degree in case of any accidents.

- When you sit on the seat and the backrest is upright, the seat belt and auxiliary pre-crash SRS system can play the best role. There is a great impact when the SRS is exploded. If you and your passenger sit freely, forwardly, sideways or in the wrong position, you will get greater hurt or there is a risk of death in case of crash. If you and your passenger run into the exploding SRS, you may get serious or fatal hurt. Please lean against the backrest and keep a certain distance away from the steering wheel or instrument panel, and use the seat belt.



Warnings

- Don't let child to sit freely or stretch head or hands out of window. Don't hug or place the child on your legs. The aforesaid figures show the dangerous gestures in car.
- If there is no proper protection for child, when the auxiliary pre-crash SRS system is exploded, the child may get serious hurt and even died. Let the child to sit on the rear seats as far as possible, and take proper protective measures for the child.
- Don't install the backward-facing child safety seat on the front seat, because the exploded SRS will seriously hurt the child and even endanger life (see details in chapter "Child Safety Seat").



Warnings

- Using the seat belt is helpful for reducing the injury or injury degree in case of any accidents. When you sit on the seat and the backrest is upright, the seat belt can play the best role. There is a great impact when the SRS is exploded. If you and your passenger sit freely, forwardly, sideways or in the wrong position, you will get greater hurt or there is a risk of death in case of crash.
- Don't allow the one sitting on the front seat to stretch hands out of window or lean against the door. The aforesaid figures show the dangerous gestures in car.
- Pay special attention to child, and take proper protective measures.

SRS Air Bag

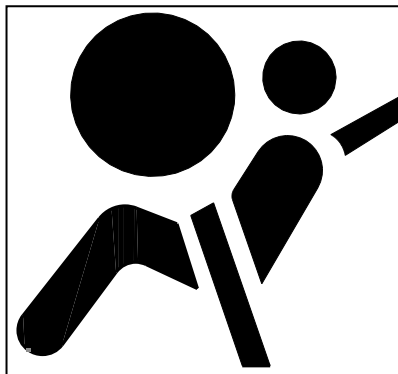
The warning sign (optional) is on the surface of visor on the front passenger seat.

Front SRS for Front Passenger Seat & Side SRS for Front Seats

Warning

Don't install the backward-facing child safety seat onto front passenger seat. When the backward-facing child safety seat is installed onto front passenger seat, in case of accident, the SRS may cause serious injury to the child.

In the car with head-on impact SRS, the backward-facing child safety seat can only be installed onto the rear seat.




“It is very dangerous to install the backward-facing child safety seat onto the seat with front SRS”. Please comply with the product specification when installing the child safety seat on your car.

Don't use seat cover to your front seat, or the side SRS cannot work normally. With respect to other information,

please refer to Chapter “Child Safety Seat”.

SRS Warning Light

SRS warning light in instrument is shown as , and it supervises the circuit of auxiliary pre-crash SRS system and pre-crash seat belt system. The circuit supervised by SRS warning light is consisted of fault diagnosis sensor unit, primary / secondary SRS modules, SRS ECU, side SRS of front seat and relevant circuits. When SRS warning light will be on when the brake is stepped down and the motor start-stop button is set at “ON”, it will be off after about 3s, and it means that the system is working.

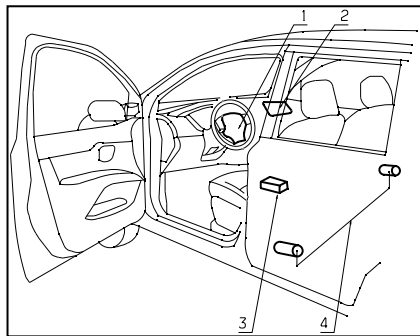
SRS system requires repairing in either case as follows:

- SRS warning light is still on after 3s;
- SRS warning light flashes; or
- SRS warning light is fully off.

In such cases, the auxiliary pre-crash SRS system maybe cannot work normally. Please timely contact with service stations authorized by DFSKfor inspection and repairing.

1. Auxiliary pre-crash SRS module (driver seat).
2. Auxiliary pre-crash SRS module (front passenger seat).
3. SRS module ECU
4. Module of side auxiliary SRS of front seat (both sides of

front seat).



Auxiliary SRS System

⚠ Warnings

- Don't place any article on the steering wheel, horn hood, instrument panel or front seat. Don't place any article between the passenger and steering wheel, and between the instrument panel and front seat. The articles will be the dangerous projectiles when

the auxiliary SRS is exploded, and accordingly result personal injury.

- Once the SRS is exploded, some sub-assemblies of it will be hot, so don't touch them, or you may get hurt.
- Don't modify any sub-assemblies or circuits of the SRS system without any authorization, so as to avoid accidental explosion or damage to SRS system. Don't modify the electronic system, suspension system, front end with body-side sheet without any authorization. This will have an impact on the normal operation of SRS.
- Unauthorized modification of SRS system may cause personal injury. Such unauthorized modification includes placing articles on steering wheel, horn hood or instrument panel or

installing other trims around the SRS system.

- Operation on or around the SRS system must be done by service stations authorized by DFSK. Don't change or disconnect the circuit of SRS without permission. Don't use the unauthorized electric testing instrument and detection equipment to test the SRS system.
- The harness connector of SRS shall be in eye-catching yellow or orange.
- The SRS explosion will have great sound, and then release smog. Such smog is harmless and will not cause fire. However, don't intake it on purpose, because it may be suffocating.

The person affected by such smog shall timely intake fresh air.

Auxiliary Pre-crash SRS System

The auxiliary pre-crash SRS at driver seat shall be at the center of steering wheel, which at the front passenger seat shall be installed onto the instrument panel over the tool box, and auxiliary side SRS of front seat shall be installed in the seat. In design, when the car meets dramatic head-on impact, the auxiliary pre-crash SRS system will be exploded. However, if the SRS meets other impacts similar to the head-on impact, it may be also exploded. In some special head-on impact, the SRS may be not exploded. Therefore, if the SRS works normally or not is not subject to the vehicle damage.

Maintenance and Replacement Procedures



Warnings

- Once the SRS is exploded, the SRS module cannot work again, so it must be replaced. The SRS module must be replaced by service stations authorized by Chongqing Jinkang, and it cannot be repaired after it is exploded.
- When the car suffers from any type of damage, its SRS must be inspected by service stations authorized by DFSK.
- When your car is to be sold out, you must tell the purchaser the SRS function, and relevant contents in the Manual.
- When you are to give out the SRS, pre-crash seat belt or vehicle, please get in contact with the service stations.

authorized by DFSK The correct procedure for you to give out is as shown in DFSK Service Manual, and the wrong procedure may cause personal injury.

The SRS and pre-crash seat belt are designed for disposable use. After the SRS is exploded, it is an alarm that the SRS warning light will be on if it is not damaged. The repairing and maintenance of SRS shall be done by the service stations authorized by DFSK When your car requires repairing and maintenance, please remind the maintenance personnel of the condition of SRS system, pre-crash seat belt and relevant components. When making maintenance in motor cabin and car, you must turn off the power supply of your car.

Drive and Handle System

Vehicle Starting

- Use parking brake.
- Step on the brake pedal.
- When the vehicle is powered on, set the vehicle at "P" or "N" gear and set the motor start-stop button switch at "START" position.
- When the vehicle is powered on, step down brake pedal.
- In any case, please ensure that the vehicle is ready before proceeding to the next step, because the motor system needs to be preheated and the thermal management system will heat the battery system in very cold weather; and the cooling system will cool the motor in hot weather. It is recommended to observe the

over-temperature indicator of motor. When the indicator is off for more than 5 minutes, perform the next operation.

- Set the vehicle at "D" or "R" gear, release the brake pedal, and slightly step down the accelerator pedal to release parking device and start vehicle.

Attentions

- If the vehicle cannot be started, step down the brake and press the start-stop button, and repeat the said after 10s.
- After starting, please drive at a medium speed at first so as to preheat the motor with the minimum load for 30s at least, especially in winter.

Attention

- When pre-heating the motor, do not

leave your vehicle unattended.

Notes for starting and driving

Warnings

- Don't leave children or the incapable adult or pet in car alone. Because they may unintentionally touch the switch or operate control rod, and accordingly result in serious accident. In the high-temperature and sunny day, the temperature of closed cab will get higher quickly, and such high temperature will result in serious injury and even death.
- To avoid the moving baggage or package getting passengers injured, don't pile any articles higher than the back of a seat in car.

Attention

It is very important to drive as per environment and conditions for driving safety and comfort. A driver has to know how to drive under the current conditions.

Cargo Loading

Load and its distribution as well as accessories (connecting device, top luggage rack, etc.) will greatly change the operating and driving characteristics of vehicle. Your driving type and speed must be subject to the actual case.

Driving on Wet Roads

- No sudden starting, speeding up and braking.
- No sharp turning or sudden changing lanes.
- Keep a safe distance from the front vehicle.

In case of any water on road, slow down to avoid sliding or being out of control. When the tire is worn, it will be more dangerous.

Driving in Winter

- Ensure safe driving.
- No sudden starting, speeding up and braking.
- No sharp turning or sudden changing lanes.
- No sudden steering.
- Keep a safe distance from the front vehicle.

Steering Lock

Locking of Steering Wheel

When the start-stop button is set at “ON” and the vehicle speed is 0, the driver can open or close the driver’s side door, and the steering lock can be locked.

Unlocking of Steering Wheel

When the start-stop button is set at “ON”, the steering wheel is locked, the key is in vehicle, and the vehicle speed is 0, the

driver can press the start-stop button to unlock it.



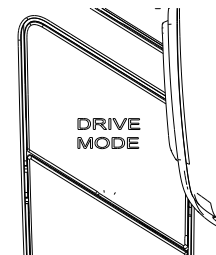
Once the vehicle is powered on, release the start button immediately.



Switching of Drive Mode Mode

Description

1. ECO mode is an economic mode, providing with good smoothness to ensure your comfortable driving.
2. Normal mode provides with driving and power performances.
3. Sport mode provides a strong



dynamic performance and pleasant sensation for you.

Switching Method

When you press Drive Mode button, the drive mode will switch among Eco, Normal and Sport. Operation interface:

Normal: it is default mode. When the vehicle is started or another driving mode is not suitable, the vehicle is always set at comfort mode. This mode provides the comfortable driving experience, require small steering force and enables the automatic start-stop function.

Sport: the mode provides a better vehicle maneuverability and controllability as well as a comfortable experience for you. The system further enhances vehicle mobility

by reducing steering power and accelerating steering response. This mode turns off the automatic start-stop function.

Eco: the mode changes vehicle properties, and realizes energy saving and high efficiency. For energy saving purpose, certain heating and ventilation settings may be automatically reduced or turned off. This mode enables the automatic start-stop function.

Passive Entry Passive Start (PEPS)

Activated Area

4. The activated area of motor start-stop system is in car.

5. The activated area of entry function is about 1.2m away from the passive entry button on the handle of front passenger door.

6. That for hatchback opening is about 1.2m away from the hatchback opening button.

Passive Entry Function

Only when the intelligent key is in the function activated area, can the passive entry function be used.

Passive Unlocking and Locking

Unlocking: when four doors are locked and you press down the passive button on the handle of driver door, the four doors will be unlocked simultaneously, and the steering light will flash for two times.

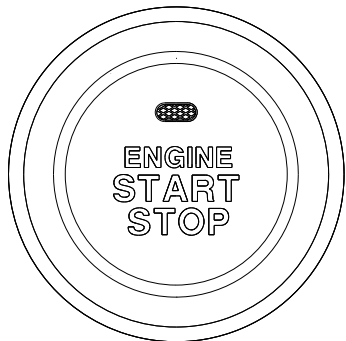
Locking: when four doors are unlocked and you press down the passive button on the handle of driver door, the four doors will be locked simultaneously, and the steering light will flash for one time. Under the following circumstances, the doors cannot

be locked via passive button:

1. The power is not set at “LOCK”;
2. The intelligent key is left in car; or
3. A door or hatchback is not closed.

Hatchback Opening

When the intelligent key is within the activated area of hatchback and the hatchback is locked, press the passive button at the lower of hatchback to open it.



Vehicle Start-stop Function

When the intelligent key is within the activated area of start-stop system, press the start-stop button to start and stop the motor or switch the power mode (“OFF”, “ACC”, “ON”, “START”).

The background light of start-stop switch is white. When the power mode is “ACC”, the orange indicator is on; and when the power mode is “ON”, the green indicator is on.

Power switching: except that it is at P gear or N gear and the brake pedal is pressed, the power of start-stop button circulates in order of “OFF”, “ACC”, “ON” and “OFF”.

Passive Starting

Motor Turning off

1. When motor speed is less than 100r/min., press the start-stop button to turn

off the motor. Then the power is set at “OFF”.

2. In emergency case, press the start-stop button over 20s, the motor will be off.



Warning

Don't turn off the motor during driving. If not, your car may be out of control, and accordingly result in accident.

Vehicle Driving

Warning

- Don't suddenly lower gear on wet and slippery road, or will cause the vehicle to be out of control.

Attention

- During driving, don't set at "N" gear (neutral gear), or will cause accident for the reason that the motor brake is out of service.
- Fully park your car before shifting to "R" gear (neutral gear).
- When parking your car for a moment, such as waiting for traffic light, you may set at "N" gear (neutral gear), and step the brake pedal.

Vehicle Starting

1. Turn on motor by reference to

"Vehicle Starting".

2. Step on the brake pedal and shift the shifting knob to "D" gear.
3. Slowly step on the accelerator pedal, and release the clutch pedal and electric parking brake switch.

- Don't drive at a constant speed, high
- At any gears, don't fully step on the accelerator pedal.
- Don't start at a high speed.
- Don't apply brake suddenly.
- Don't tow your car within the first 800km.

Before Motor Starting

Warnings

Your car's driving characteristics may be greatly changed due to additional load, load distribution or additional devices. Your driving method and speed must be adjusted as per such factors. Especially, when the load is too heavy, your car speed must be lower properly.

- Confirm if there is obstacle around your car.
- Check if the tire appearance, status and pressure are normal.
- Check if all windows and lights are clean.
- Adjust seats and headrests positions.
- Adjust the interior rearview mirror and exterior rearview mirror.

-
- Fasten the seat belt, and ask all passengers to do so.
 - Ensure that all doors are closed.
 - Set motor start-stop button is set at “ON” and check the operating status of warning light / indicator.
 - Regularly check the maintenance items in “9. Maintenance and What You Can Do”.

Gear Shifting

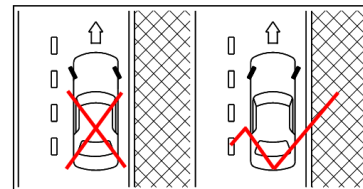
When you set the shifting knob at “D” gear, the wheels will be controlled and shifted gear as per accelerator opening and speed.



- To avoid the causes damaging automotive transmission system, don't set at “R” gear (reverse gear). Before setting “R” gear, please ensure that your car is completely stopped.

Parking

1. Ensure that you use the electrical parking switch.
2. Step on the brake pedal and shift the shifting knob to “P” gear. When parking the vehicle on uphill road, set the transmission at “P” gear.



3. When parking your car on the side of a slope, adjust the wheel direction to avoid slipping into lanes.

① Toward downhill:

Turn the wheel toward the curb, move the car toward to slightly touch the curb, and then pull the electrical parking switch.

② Toward uphill:

Turn the wheel toward the curb, move the car toward to slightly touch the curb, and then pull the electrical parking switch.

③ Without curb - uphill or downhill:

Turn the wheel toward the roadside so as to deviate the road center when driving, and

then pull the electrical parking switch.

4. Press the start-stop button to set the power supply at “OFF” gear.

Warnings

- Don't park on combustibles, such as hayfield, waste paper or waste cloth. Because they may cause fire.
- The safe parking procedure requires you to pull the electrical parking switch, and shift shifting knob to proper gear, or will cause your car suddenly moving or sliding and accordingly cause accident.
- If nobody guards your car, don't keep motor running.
- Don't leave children or the incapable adult in car alone. Don't leave pets in car alone. Because they may unintentionally touch the switch or controller, and

accordingly result in serious accident. In the high-temperature and sunny day, the temperature of closed cab will get higher quickly, and such high temperature will result in serious injury and even death.

- You must shift to “P” gear when it is parked well. If you shift to “P” gear before it is completely parked, you may damage the automotive transmission system. For this, DFSK will not provide warranty regardless of that it is within the warranty period.

Trailer Towing

Attention

The damage caused by trailer towing is not within the warranty scope.

Your car is designed for carrying passengers and cargoes. Trailer towing is an

additional load for your car's motor, power transmission system, steering system, brake system and other systems. Trailer towing may keep it shaking (due to side wind, bumpy road, passing-by trucks, and others) and others. Please adjust driving mode and speed to adapt such cases. Before towing, please consult relevant dealer to know about how to properly use towing devices.

Notes for Operation

- Don't tow the car during run-in period.
- Before towing, please ensure that the car to be towed has a good lighting system.
- During towing, please abide by the legal provisions for maximum speed.
- Don't exceed 100km/h.
- No sudden starting, speeding up or stopping.
- No sharp turning or sudden changing

lanes.

- Drive at a medium speed.
- Abide by instructions of Towing Manual.
- Choose proper coupling devices (including tow hook, safety chain and others). You may consult DFSK dealer for purchasing such devices and more notes for towing.
- The towing load (total of trailer and cargo) shall not be more than the setting value of vehicle and coupling device. For further details, please consult DFSK dealer.
- As for trailer loading, put the heavier objects above the car. The load shall not exceed the maximum vertical load of tow hook.
- Please regularly maintain your car. The interval for maintenance shall not be

less than the specified value on the Maintenance Manual.

- Due to the increase of traction and resistance, the towing may consume much electricity than that consumed by normal driving.
- In towing, please note the temperature indicator of motor coolant, to avoid overheating vehicle.

Tire Pressure

When towing, inflate tires to meet the maximum recommended value (or full-load) marked on the winter wheels.

Don't tow your car with spare tires.

Safety Chain

Use the qualified safety chain between your car and trailer. Cross the safety chain and fix it onto the tow hook rather than the

bumper or axle. Ensure that there is enough space for steering.

Trailer Brake

Ensure that the installation of trailer brake shall comply with the local laws and regulations. Meanwhile, check and ensure other towing devices meet the local laws and regulations. When parking, apply the brake of your car and trailer. If the trailer has a mechanical brake, pull it at the same time. Don't park your car on slope. If it is inevitable to park your car on a slope, set the shifting knob at proper gear and keep the front wheels toward the roadside.

Electric Power Steering (EPS) System



During driving, if the vehicle is powered off,

the electrical power steering system will be out of service, then it will be difficult to steer.

During driving, the electric power steering (EPS) system's warning light is on, which means that the electric power steering (EPS) system is abnormal. You can still control your car, but it will be abnormal for steering (without power, abnormal power or others), especially in case of sudden turn and driving at a low speed. Be careful. Please send your car to DFSK dealers for inspection and repair.

When steering, the electric power steering (EPS) system will provide additional steering force so as to reduce the burden for driver to turn the steering wheel.

When parking car or driving at a low speed, keep turning the steering wheel, and then

the force provided by electric power steering (EPS) system will be reduced. Such will prevent the electric power steering (EPS) system from damaging due to overheating. When the force is reduced, it will be difficult to operate the steering wheel. When the temperature of electric power steering (EPS) system is reduced, the force will resume to be normal. Don't keep turning the steering wheel, or will overheat the electric power steering (EPS) system.

If turning the steering wheel so fast, you will hear obvious grating sound. If necessary, please consult the service stations authorized by DFSK for inspection.

Brake System

The brake system has two independent hydraulic circuits. When one circuit is

faulted, another one will still work and generate brake force for two wheels. In braking process, the speed is reduced by the brake friction and the friction between tires and ground. The slight friction and the friction sound between tires and ground are normal during braking process; and the squeal in braking is normal too. This may be because other matters are pasted on the friction face during driving process, and the friction face may be rusty due to being out of service for a long time or rainy day. If the frequency of squeal is not greater, it is unnecessary to be treated specially.

To avoid affecting pedal stroke, don't place thick carpet within the brake pedal area.

Brake Precautions

Reasonable use of brake friction pair
Brake friction pair is a device directly

providing friction for car brake. If it exceeds the use limit of brake friction pair, the brake will be out of service, and even damage the brake disc. Therefore, please replace brake friction pair timely. (The maximum remaining thickness of brake block of front wheel disc brake is 2mm, and that of rear wheel is 2mm too.)

Attention

To run in the friction plate and brake disc, and ensure performance and service life, you'd better avoid sudden brake or long-term brake within 200km after purchasing a car and re-installing a new friction plate, so as to reach the optimal brake performance.

Vacuum Auxiliary Brake

The brake booster realizes auxiliary braking by electrical vacuum pump. If the electrical vacuum pump is powered off, you can step on the brake pedal to park your car, but you

have to increase power to step on it to park your car, and the brake distance will be longer too.

Attention

When you drive at high altitude localities, the continuous braking may increase the force for brake pedal.

Warning

Don't slide your car when turning off the power.

Braking

Don't rest your foot on brake pedal during driving. Because it may overheat the brake, and accelerate to wear friction plate.

To avoid accelerating to wear friction plate, and overheating brake, before entering down slope or long slope, please reduce speed and use motor drag brake. Brake

overheating will reduce brake performance, and cause vehicle to be out of control.

When driving on slippery road, be cautious when braking and speeding up. Sudden braking and speeding up may cause wheel to slide, and accordingly result in accident.

Wet Brake

After car washing or driving on ponding road, the brake will be wet, which will prolong brake distance, and your car may slide to one side when braking.

To dry the brake, slightly step on brake pedal to heat the brake when driving at a safe speed, until the braking function gets right. Before this, don't drive at a high speed.

Driving Uphill

When starting uphill, do not release the electronic parking device first. When it is ready to start, release the brake pedal slowly,

step on the accelerator pedal gradually, so that the vehicle will release the electronic parking device after perceiving the driver's intention to start.

Driving downhill

When you drive downhill, the motor can effectively control speed. Do set shifting knob at the lower gear. Such gears can fully plays a role of motor brake performance.

Anti-lock Brake System (ABS)

Warnings

- ABS is a complex device, but it cannot avoid accident caused by carelessness or dangerous driving. It is helpful for controlling vehicle better when braking on slippery road. However, please note that the

brake distance is longer than that on slippery road although your car has an ABS. When you use tire chain on coarse, gravel and snowy road, the brake distance may be also longer, so do keep a safe distance from the front vehicle. In a word, driver should have a high awareness of safety.

- The tire type and condition may also affect the brake effect.
- When changing tires, all wheels must be equipped with the specified tires.
- When mounting spare tire, please confirm if its size and model are consistent with those on tire pressure label. Please refer to “Tire Pressure Label” in “X. Technical Information”.
- For details, refer to “Tire and wheel” in “IX. Maintenance and What You Can Do”.

ABS controls brake, preventing wheels from locking in case of sudden brake or driving on slippery road. It will test the rotational speed of each wheel, and prevent wheels from locking and sliding by changing brake liquid pressure. By preventing wheels from locking, the system is helpful for driver to control steering wheel, and control the side sliding to the minimum when driving on slippery road.

Use of ABS Step on the brake pedal with a stable press, but not repeat and release it. ABS will work to avoid locking wheels, and assist driver in normally controlling vehicle to avoid obstacles and danger.

 **Warning**

Don't loosen the pedal up. If not, it may increase the brake distance.

Self-diagnostic Function

ABS includes electronic sensor, electric pump, hydraulic electromagnetic valve and processor. The processor has self-diagnostic function which tests the system when starting vehicle, driving forward or backward at a low speed. When conducting self-diagnostic function, you may hear depressing "metallic sound" or feel the pulse of brake pedal. It is normal, but not indicates any fault. If the processor tests any fault, it will turn off ABS, and light on the ABS brake warning light on integrated instrument. Then, the brake system will

work normally, but it has no anti-lock function.

If ABS fault indicator is on in self-diagnosis or driving, please drive your car to the service stations authorized by DFSK for inspection.

Normal Operation

ABS will work when the speed exceeds 15km/h which will be changed as per road conditions.

When ABS tests one or more wheels are close to be locked, the actuator will work fast and release pressure. Such is similar to fast release brake. When ABS brakes, you may feel the pulse of brake pedal, and hear abnormal sound from power cabin or feel the vibration of actuator. It is normal, and indicates that ABS works normally.

However, vibration also means that the road condition is bad, and you have to be careful of driving.

Electric Brake-force Distribution (EBD) System

EBD system is a supplement of ABS system. Generally, the function of EBD is similar to SABS (which is more sensitive than EBD) of non-ABS system.

Self-diagnostic Function

When starting vehicle, driving forward or backward at a low speed, EBD will conduct self-diagnostic function as same as ABS. If the processor tests any fault, it will turn off EBD, and light on the EBD fault indicator on integrated instrument.

If EBD fault indicator is on in self-diagnosis or driving, please drive your car to the service stations authorized by DFSK

for inspection.

Warning

If both ABS / EBD fault indicators are on in self-diagnosis or driving, please slow down to park safely, and promptly drive your car to the service stations authorized by DFSK for inspection. [Please drive at a low speed (lower than 30km/h) to 4S store. Don't brake suddenly, or cause such accident as drifting.

Vehicle Safety

When you leave from your car and nobody in your car:

- Take out key and carry with it, even though you park in your own parking lot.
- Close all windows and lock all doors.
- Park your car at a place where you can

see it. At night, park at a bright place.

- If your car is equipped with safety system, use it, even though you only use it for a moment.
- Don't leave children and pet in your car alone.
- Don't leave the treasures in car alone. Carry with them.
- Don't put the articles on rack. Please put them on a safe place or lock them in car.
- Don't leave the spare key in car alone. Keep it at a safe place.

Driving in Cold Weather

Warnings

- Drive carefully on any roads. Be careful of speeding up and slowing down. If you speed up or slow down too fast, it will be easier for the driving wheel to lose adhesive force.

- Please keep longer brake distance when driving in cold weather. The opportunity for braking shall be prior to entering dry road.

- It is hard for you to drive on wet, snowy and icy road. The driving force or road holding will be reduced greatly. Except for there is salt or sand on road, don't drive on the wet icy road.

- Be careful of the wet and slippery sections (thin ice). They may be on the road which seems clean at dark area. Where there is trash ice in front of vehicle, please brake before driving onto it. Don't use brake when driving onto ice, to avoid suddenly turning steering wheel.

Motor Coolant

If you have to park car outside and have no antifreeze, discharge coolant, and add

before using car. Refer to “Replacement of Vehicle Coolant” in “IX. Maintenance and What You Can Do”.

Tire Equipment

1. When mounting snow tire for your car’s front / rear wheels, the size, load range, structure and type (bias-ply tire or radial-ply tire) of snow tire shall be the same as that of rear / front wheels.
2. When driving on icy and snow road, replace snow tire for four wheels.
3. The rubber studded tire can increase driving force for car running on icy road. However, the rubber studded tire is prohibited from using in some areas. Therefore, please confirm the local laws and regulations before installing rubber studded tire.

The anti-skid performance of rubber studded tire on wet or dry roads may be poor than that of tire without rubber studded tire.

4. If necessary, use tire chain. When installing the tire chain, confirm if the tire chain size is suitable for your tire, and abide by the recommendations from the manufacturer of tire chain. If the manufacturer of tire chain gives any advices, use the chain tensioner to keep the installing tightness. The connector of tire chain’s flexible end must be fixed or removed to avoid damaging wheel fender or chassis. Moreover, please drive at a low speed, or will damage your car or affect your car’s operation and performance.

Special Winter Equipment

In winter, you are recommended to carry with the following articles:

1. Use scraper and scrubbing brush to

remove snow and ice on windows and wiper.

2. You can place the hard board under the jack, to provide a solid support.

3. The shovel for getting car out of snow

Parking Brake

If you have to park your car for a long time in the area with outdoor temperature lower than 0°C. Don’t use parking brake to avoid being freezing. For parking safety: park your car on the flat road as far as possible, and set the gear shifting knob to P gear position.

Protection against Corrosion

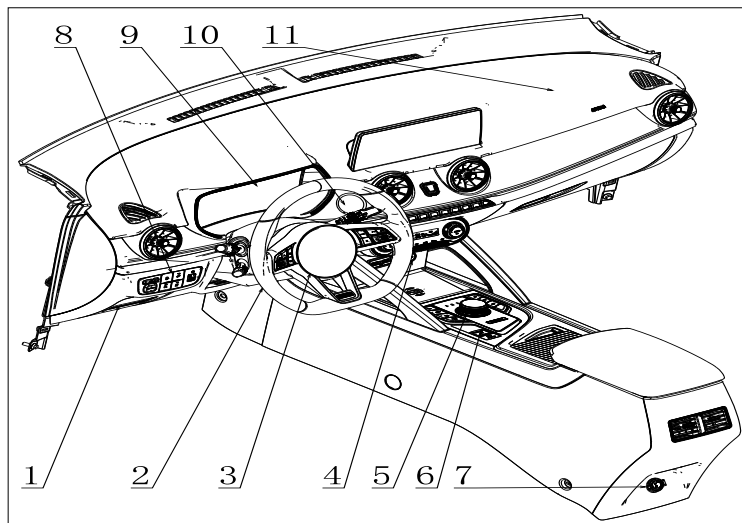
The chemicals for ice removing used on road are corrosive, and will speed up corroding and aging chassis components (including brake pipeline, floor and wheel fender).

In winter, regularly clean the chassis. For further details, refer to “Protection against Corrosion” in “VIII. Appearance and

Maintenance”.

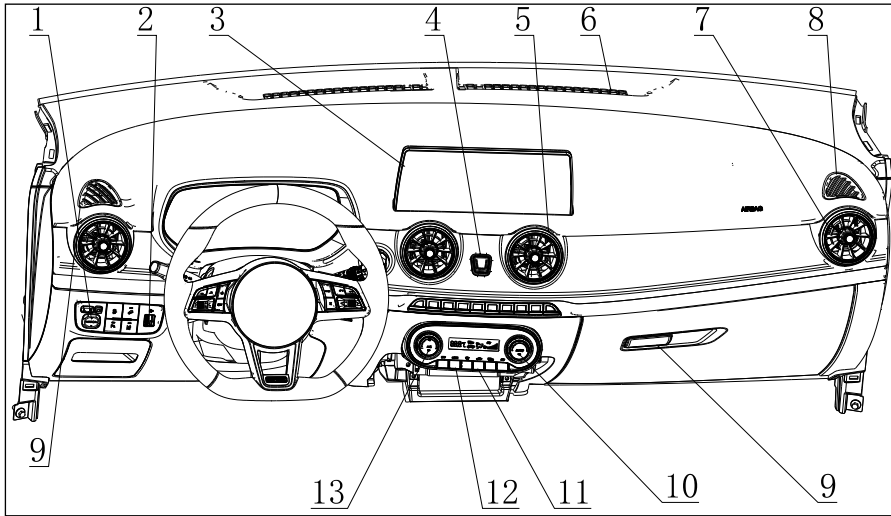
Other rust-proof and anti-corrosion actions may be prohibited in some areas, so please consult the local DFSK dealers.

Driver Cabin



1. Access hole
 2. Steering wheel
 3. Klaxon button
 4. Cigarette lighter
 5. Knob electronic gear shift mechanism
 6. EPB switch
 7. Power inverter
 8. Combined side marker light
 9. Combined instrument
 10. Motor start-stop system
 11. SRS of front passenger seat
- * Optional

Instrument Panel



1. Adjusting switch of power rearview mirror

2. Adjusting switch of headlight height

3. Display screen

4. Alarm switch

5. Central air outlet

6. Front defrosting outlet

7. Side air outlet

8. Side defrosting outlet

9. Tool box

10. Temperature adjusting knob

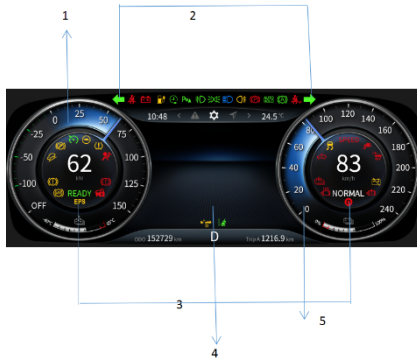
11. Internal and external knob

12. Mode selection button

13. A/C switch and air volume adjusting knob

* Optional

Integrated Instrument



Integrated instrument

1. Instantaneous power meter
2. Left and right turn signal lights
3. Function indicator
4. Liquid crystal display (LCD)
5. Speedometer

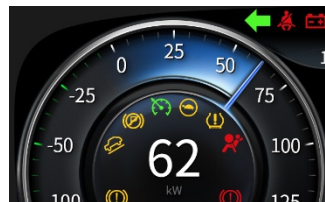
Speedometer



Speedometer

Speedometer pointer indicates the driving speed (km/h).

Instantaneous Power Meter



Instantaneous Power Meter

Real-time display of vehicle power (KW)

Voltmeter

Voltmeter

The accuracy of the display bar for the battery power of the instrument is 1%, and the range of display power is 0-100% with continuous display; and when the electric



quantity enters the red zone, please charge in time.

Battery Thermometer



Battery Thermometer

The current temperature of the power battery is displayed. When the battery temperature enters the red zone, please stop and lower the temperature, and then keep driving. If the fault still exists, please contact the service stations authorized by DFSK for inspection.

Operation







- a) On the interface of classic theme and science theme, press the left and right buttons on the left of the multi-functional steering wheel to switch to the comprehensive information display; and on the interface of passion theme, press the up and down buttons on the left side of the multi-function steering wheel to switch to the integrated information display.
- b) Press "OK" button on the left side of the multi-functional steering wheel to confirm or press and hold "OK" button to reset driving time and average fuel consumption.

c) On the interface of classic theme and science theme, press the up and down keys on the left side of the multi-functional steering wheel to switch to the secondary interface; on the interface of passion theme, press the right button on the left side of the multi-functional steering wheel, move the cursor to the right, and then press the up and down buttons to switch to the secondary interface. In the secondary interface, press the left button and move the cursor to the left.

d) Press the return key on the left side of the multi-functional steering wheel to return to the second and third level menus from the third and fourth level menus.

Liquid Crystal Display (LCD)

The LCD screen provides the following information:

-  ECU
-  Fault description
-  Settings
-  Navigation



Driving computer screen

ECU shows the following information.

- Average power consumption: displays the average power consumption of a vehicle running for 100Km under the current driving state.
- Driving mileage: displays the driving mileage of a vehicle with the remaining electric power; the mileage will change after recharging.



Note: The value may have a small error due to the change of ambient temperature.

Tire Pressure Display:

Displays the current pressure of four tires



Tire pressure on LCD

- * Cruise control / active speed limit: when the cruise control is used, the target speed is displayed; when the active speed limit is used, the active speed limit is displayed; and where neither of two is used, "cruise conditions not met" is displayed.



- * Driving assistance system: displays the working status of the LDW system and

prompts that the current vehicle deviates from the lane line.

Fault Description

Displays the fault description of the current vehicle

Settings

- Language setting: Chinese and English.
- Setting of sub-total mileage: Trip A, Trip B and reset.
- Brightness setting: displays the current brightness level and adjusts the back-light brightness. There are nine brightness levels in total.
- Theme setting: switches LCD instrument display styles including classic, passion and science themes.
- Over-speed alarm setting: includes the over-speed alarm value or turns off the over-speed alarm.

- Fatigue driving setting: includes the fatigue driving time (2h, 3h, 4h) or turns off the fatigue driving prompts.

- * Unit setting: includes the unit of temperature, pressure and mileage.

- * Maintenance setting: includes maintenance mileage, remaining maintenance mileage, and zero maintenance mileage.

* **Navigation**

Displays navigation information from entertainment host. You can press the left lower key of the multi-functional steering wheel to switch to full-screen navigation; and press the upper key to return to the small navigation interface.

* **Multimedia**

Displays the multimedia information from

entertainment host.

* **Phone**

Displays the Bluetooth telephone contact information from entertainment host.

* **Outside Temperature**

Displays the current ambient temperature in digital form.

* **Total Mileage**

ODB (total mileage) shows the total distance the car has run.

Sub-total Mileage

TRIP (short mileage) shows the distance of a trip.




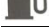






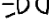
* **Drive Mode**








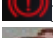

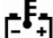
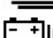

Displays the current driving mode of the vehicle (ECO, Sports, and Normal).

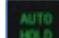












Note:

The instrument displays many interfaces, and not all of them are listed here. The display contents and indicator as well as loudspeaker shows the details about Loudspeaker vehicle.

Indicator and Voice Prompt

-  Turn signal / danger indicator
-  Driver seat belt indicator
-  Charge indicator
-  Timing charge
-  * Front radar operation indicator
-  High beam indicator
-  Low beam indicator
-  Side marker light / position indicator
-  Rear fog lamp
-  Parking status indicator
-  Front passenger seat belt signal light
- EPS** EPS fault indicator

-  Operating indicator of brake vacuum controller
-  * EPB fault indicator
-  * Cruise control indicator
-  Power limit indicator
-  SRS alarm indicator
-  Brake liquid level light
-  Anti-theft alarm indicator
-  Power battery overheat indicator
-  Low SOC alarm indicator
-  Insulation fault indicator
-  Power overheat indicator
-  * Automatic parking start
- READY** Ready indicator

-  * Autohold indicator
-  * ESP OFF indicator
-  * ESP failure alarm indicator
- ECO** ECO mode indicator
- SPORT** SPORT mode indicator
-  Power battery fault indicator
-  System failure indicator
-  Power over-speed indicator
-  Charge indicator
-  Low-speed warning indicator
-  Power battery switch-off indicator
-  Motor fault indicator
-  ABS fault indicator
-  Abnormal tire pressure indicator
-  Front fog light

Indicator



ABS fault indicator

When the brake is stepped down and the motor start-stop button is set at “ON”, ABS fault indicator / operation status indicator is on and will be off about 3s later, indicating that ABS works normally.

Driver running or driving process, ABS fault indicator is on, indicating that ABS works normally.


When ABS system is faulted (ABS fault indicator is on, and EBD fault indicator is off), the anti-lock function will be invalid. The brake system works under EBD brake force distribution mode, but it has no anti-lock function. Please contact the service stations authorized by DFSK for inspection.



Warning

Driver running or driving process, ABS indicator or EBD indicator is on or both of them are on, indicating that ABS/EBD system works normally. Then, the brake system is under dangerous condition, please do slow down to park and contact the service stations authorized by DFSK at once for inspection.

(Refer to “Brake System” in “6. Starting and Driving”)

Brake liquid level warning light / EBD fault indicator 

During driving process, when brake liquid level indicator is on, park your car at once as far as possible, turn off motor and check brake liquid level. If the brake liquid level lowers the minimum level on liquid storage tank, please add brake liquid as required (refer to “Brake Liquid” in “9. Maintenance and What You Can Do”).



Operating indicator of brake vacuum controller

During driving process, when the brake vacuum is insufficient or the controller fails, the operating indicator will flicker or stay on, and the brake does not have power (the brake pedal is hard to be stepped down), you need to stop your car as quickly and safely as possible, turn off power, and contact the service stations authorized by DFSK for inspection.




Warnings

- You will have decided that your car is safe, but you'd better track your car with other cars, because there may be potential danger.
- Braking when the drive motor is off or the brake liquid level is low will increase

brake distance, and requires greater force. Stop driving before being inspected and confirmed by the service stations authorized by DFSK


 Parking Status Indicator (EPB)

When the brake is stepped down and the motor start-stop button is set at “ON”, If the parking brake is not released, the indicator is constantly on; if it is released, the indicator is off.


 * Front radar operation indicator

When the front radar is working, the front radar operation indicator is on.

If drive motor is normal but the charge indicator is still on, seek for inspection on charging system by the service stations authorized by DFSK

 Driver seat belt indicator


When the brake is stepped down and the motor start-stop button is set at “ON”, before the driver seat belt is fastened, the indicator is constantly on; and after the seat belt is fastened, the indicator is off. (Refer to “Seat Belt” in “10. Safety Devices - Seat, Seat Belt & SRS”)

 Front passenger seat belt indicator

When the ignition switch is set at “ON” and “START” gears, the front passenger seat belt is not fastened and there is a passenger on the front passenger seat, the indicator is on, and it is off in other cases. (Refer to “Seat Belt” in “10. Safety Devices - Seat, Seat Belt & SRS”)

Note: when the front passenger seat belt is not fastened, the indicator is constantly on when the speed is <10km/h, and it is off

when the speed is $\geq 10\text{km/h}$.

SRS alarm indicator 

When the brake is stepped down and the motor start-stop button is set at “ON”, the SRS warning light is on for 3s and then be off. It means that SRS works normally. (Refer to “Seat Belt” in “10. Safety Devices - Seat, Seat Belt & SRS”)

EPS EPS fault indicator *

When the brake is stepped down and the motor start-stop button is set at “ON”, the power steering indicator is on for 2s, and then off, it means that the system works normally.

When the power steering indicator is on during motor running, it means that the system works abnormally, and it needs repairing. Please seek for repairing and treating the power steering system from the service stations authorized by DFSK.

If the power steering system indicator is on during motor running, the power steering system is invalid, but you can still control your car. Now, you have to operate the steering wheel with a greater force, especially in case of a sharp turn and driving at a low speed. (Refer to “Electric Power Steering (EPS) System” in “6. Starting and Driving”)



Abnormal tire pressure indicator

When the pressure of tire is abnormal or the sensor is invalid, the indicator is on or flashes, and the corresponding letters on LCD flashes.

During driving, when the abnormal tire pressure indicator is on, quickly park your car as far as possible. If finding that the tire leaks air or becomes flat quickly, please refer to “Flat Tire” instructions in Chapter 7

or seek for inspection from the service stations authorized by DFSK.



EPB fault indicator

When EPB system is faulted, the EPB system is under dangerous condition. Please do slow down to park and contact the service stations authorized by DFSK at once for inspection. (Refer to “Parking Brake” in “IV. Inspection and Adjustment before Driving”)



High beam indicator

When the high beam light is on, the indicator is on. When the low beam light is on, the indicator is off. (See “Switch of Headlight and Turn Signal Light” hereinafter)



Rear fog lamp

When the rear fog light is on, the indicator

is on. (See “Fog Light Switch” hereinafter)



Turn signal / danger indicator

When turn the switch of turn signal light or press alarm switch, the indicator flashes. (See “Switch of Headlight and Turn Signal Light” or “Danger Indicator Switch” hereinafter)



Side marker light / position indicator

When you turn on the side marker light, the indicator is on. When you turn off the side marker light, the indicator is off.



System failure indicator

It is on when the signal state is "Fault", and off when the signal state is "No Fault".

If any one of the following occurs, it means that a fault occurs somewhere in the component monitored by the warning light system. Please contact the service stations

authorized by DFSK for inspection:

The warning light continues to be on when the power is set at "on".

The warning light is on while driving.

The warning light is on when the power in set at "OFF". During operation, it does not indicate a problem if the warning light is on for a short time.

Attention

Do not drive when the warning light is on. It is recommended to drive to the service station as soon as possible for inspection.



Power battery fault indicator

It is on when the signal state is "Fault", and off when the signal state is "No Fault". The warning light is on when the power is set at "ON". If the power battery system works normally, the light is off after a few seconds. Then, if the system is faulted, the

light will be on again. Please contact the service stations authorized by DFSK for inspection.

If any one of the following occurs, it means that a fault occurs somewhere in the component monitored by the warning light system. Please contact the service stations authorized by DFSK for inspection:

The light continues to be on when the power is set at "on".

The light is continuously or occasionally on while driving.



Power battery switch-off indicator

When the light is on, it indicates that the power output of the vehicle has been cut off due to safety logic. Please contact DFSK after-sales service center or specified 4S store.



Power limit indicator

It is on when the signal state is "LIMIT", and off when the signal state is "No LIMIT".



Power overheat indicator

Motor overheat indicator: this indicator is the motor system overheating warning light. If this indicator is on, please stop your car immediately and turn it on again after waiting for a period of time. If the indicator is off, drive normally. If the indicator is on, please contact DFSK after-sales service center or the specified 4S store. Motor overheat indicator: it is on when the signal state is "Fault", and off when the signal state is "No Fault".



Power over-speed indicator


It is on when the signal state is "Fault", and off when the signal state is "No Fault".

EV ECO EV_ECO mode indicator

Where the signal status is EV_ECO mode, its indicator will be on.

EV SPORT EV_SPORT mode indicator

Where the signal status is EV_SPORT mode, its indicator will be on.

Charge indicator 

When the charging line is connected normally, the indicator will be on.



Power battery charge indicator

The indicator keeps flashing when charging normally; when there is a charging fault, the indicator is on; if there is a charging fault, please try to operate the plug again; if the indicator does not return to normal, please contact DFSK after-sales service center or the designated 4S store for repair.



Timing charge

When the charging start time is input, the indicator will be on; and when the time is up, the indicator will be off.



Power battery overheat indicator

Note that if the indicator is on, it indicates that the power battery temperature is too high and you must stop to cool it down. Power battery may also overheat under the following operating conditions: 1. climb for a long time in hot weather; 2. there is frequent acceleration, sudden braking, or prolonged movement without rest in stop-and-go traffic conditions; or 3. tow a trailer.



Low SOC alarm indicator

Where the warning light is a low power warning light for a power battery, when the light is on, it indicates that the battery is currently in the feeding state. Please charge as soon as possible to avoid failure due to low power and adverse impact on battery performance.



Insulation fault indicator

When the indicator is on, please stop driving immediately, and contact Jinkang after-sales service or specified 4S store for repair.



Motor fault indicator

When the indicator is on, please stop driving immediately, and contact DFSK after-sales service or specified 4S store for repair.

Voice Prompt

Alarm of Side Marker Light on

If you open the door when passing the identity verification, the buzzer will cause alarm sound reminding you of turning off side marker light. The alarm sound will be off when such lasts for 60s or turning off the side marker light.

Alarm of Seat Belt Not Fastened

When the brake is stepped down and the

motor start-stop button is set at “ON” (whether the motor is started or not) and the speed is less than (10 ± 2) km/h, if the seat belt is not fastened, the seat belt alarm indicator is constantly on, and the buzzer will not alarm.

When the speed is more than 10km/h and the seat belt is not fastened, the seat belt alarm indicator keeps flashing, and the buzzer will stop after 60s. When the indicator is flashing and buzzer is working, if the seat belt is fastened, the buzzer stops and the indicator is off.

Alarm of Doors Not Closed (LCD)

When doors are not completely closed or they are half-closed, the LCD doors opening interface reminds driver of doors not closed completely.

Alarm of reverse radar

The instrument sends alarm sounds of

different frequencies according to the differences from the reverse radar to obstacles.

Steering and Danger Alarm

When turn the switch of turn signal light or press alarm switch, the instrument gives buzzing.

Alarm of Keys Not in Car

When it is set at ON and START gears and the remote key is not in car, the instrument gives buzzing.

Low-speed Alarm

The low-speed driving alarm system refers to the warning sound (similar to the buzzing sound of a machine) made by an electric vehicle to pedestrians near the vehicle when the vehicle is moving at a low speed.

When the speed is greater than 0Km/h and less than 30Km/h, the external horn beeps. If the vehicle is equipped with a stop switch, the low-speed prompt voice can be turned on or off by the pause switch. The pause switch is arranged in a position convenient for operation under the normal driving state

of the driver. The switch icon is shown below. When the vehicle is started again, the system will be turned on by default. When you press the pause switch, the low-speed prompt voice system will be turned off; and when you press the pause switch again, and the low-speed prompt voice system will be turned on.

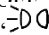
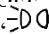


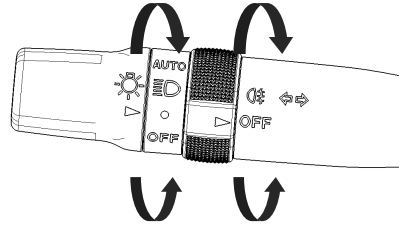
If the vehicle is equipped with a stop switch, please pay attention to the following:

1. The pause switch of the prompt voice system can only be used when there is no pedestrian within a short distance and the surrounding environment obviously does not need the prompt voice! For example, when pedestrians are likely to appear around vehicles in traffic jams or on highways, the low-speed voice prompt system needs to be turned on.
2. If the vehicle is running at a low speed with the low-speed voice prompt system

turned off, it is unable to alert pedestrians and vehicles to approach, which will reduce the safety of the vehicle.

Integrated Switch of Light

The integrated switch of light controls the position light, headlight, high beam headlight, low beam headlight, rear fog light and turn light; among which, the position light and headlight have four gears: OFF, MT “AUTO”, position light “”, and headlight “”. The switch of turn light has five gears: left turn, left lane, OFF, right lane, right turn. The switch of high beam headlight and low beam headlight has three gears: OFF, overtake, shift.




Intelligent Light, Position Light and Headlight Switch

When it is set at OFF, the position light and headlight are off;

When you turn switch to “AUTO”, the position light and headlight will automatically gear or off as per outside light.

When you turn the position light to “0”, the front and rear position lights and indoor back light of devices are on; when it is set at “ON”, the back light of integrated instrument and radio CD player will automatically be darker, and other lights are on normally;

When you turn the switch of headlight at “”, the headlight and low beam headlight are on. There are three gears including UP (overtake), MEDIUM (low beam) and LOWER (high beam)

in the direction of handle vertical to steering wheel. When you slightly pull the light switch to overtake gear, the high beam headlight and low beam headlight will be on, realizing overtake function; and when you release it, it resume to normal position; when you pull the light switch to the shift gear of high beam headlight and low beam headlight, the high beam headlight will be on, and when you turn it to the middle position, the high beam headlight is off.

Switch of Turn Signal Light

Switch of Lane Change Warning Light
When you set the switch at right lane gear, the right turn light and right side marker lights of front and rear lights flash for 5 times, the right turn indicator flashes for 5 times at a certain frequency, and the switch returns automatically; when you set the switch at left lane gear, the left and right turn light and left side marker lights of front and rear lights flash for 5 times, the left

turn indicator flashes for 5 times at a certain frequency, and the switch returns automatically.

Switch of Turn Light

When you set the right turn light to right turn gear, the right turn light and right side marker lights are on, and the right turn indicator is on and flashes at a certain frequency; when you set the switch handle to the middle, the right side marker lights are off; similarly, when you set the switch to left turn gear, the left turn light and left side marker lights are on, and the left turn indicator is on and flashes at a certain frequency. When you set the handle at the left (right) turn position, if the steering wheel reversely returns and rotates for angles, the steering switch will automatically go back to the middle position, and then all turn lights are off.

Follow-me-home Function

When you take out key after parking, if you turn the overtake switch for 2 times within 2s, the high beam headlight

delays 30s to be off; if you turn the overtake switch for 3 times within 2s, the high beam headlight delays 60s to be off; and if you turn the overtake switch over 4 times within 2s, the high beam headlight delays 90s to be off. After locking doors, touch unlocking and locking button to cancel such function.

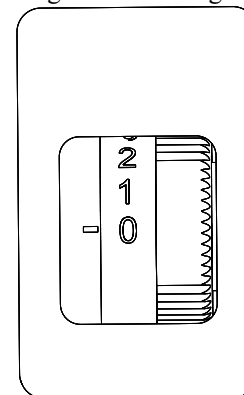
Rear fog Light Switch

When you turn on headlight, high beam headlight and low beam headlight, and you upwardly turn the fog light switch for one time, the rear fog light is on and the switch automatically returns to “OFF”; and when you downwardly turn the fog light for one time again, the rear fog light is off.

Headlight Height Adjustment and Control

When the brake is stepped down and the motor start-stop button is set at “ON”, the headlight is on, you can adjust the height from headlight low beam axle to the ground according to

your driving habit. The greater the number on switch is, the lower the height from headlight low beam axle is.



Wiper and Washer Switch



Warning

At freezing temperature, the washing liquid may be frozen on windscreen and affect your vision. Before washing the windscreen, heat the windscreen with defroster.



Caution

Don't use the washing liquid over 30s continuously.

If there is no washing liquid in washer storage, don't use washer.

Windscreen Wiper and Washer

When the brake is stepped down and the motor start-stop button is set at "ON", the front windscreen wiper and washer can be used.

Operation of Wiper

If you set at "AUTO" gear, the wiper will work automatically when its sensor detects rain, and it will adjust speed as per rainfall amount (optional).

If you set at "1" gear, the wiper will work at a low speed.

If you set at "2" gear, the wiper will

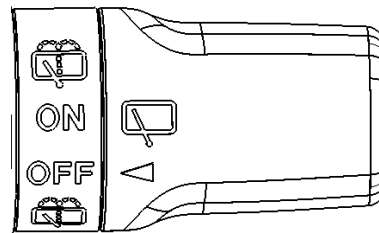
work at a low speed.

If you are to stop the wiper, set the lifting lever downwardly to "OFF" gear. If you set the lifting lever at "MIST" gear, the wiper will work for one time.

And then, the lifting lever will automatically return to original position.

If the wiper suspends working due to snow or ice, the wiper will not work to protect motor. In case of such circumstance, set the wiper at "OFF", remove the snow or ice on and around the wiper arm, and turn on the wiper again.


Operation of washer

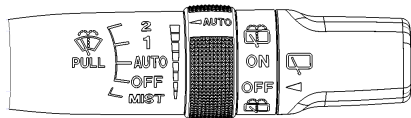


To use washer, upwardly pull the integrated switch of wiper until that the required amount of washing liquid comes from windscreen. Then, the wiper will automatically work for several times.

Rear Wiper and Washer Switch

When the brake is stepped down and the motor start-stop button is set at "ON", turn the integrated switch of wiper handle at "ON" gear, the rear wiper motor starts working; when you set the ignition switch of wiper handle

at “”, the wiper motor and washer motor will work together. If the wiper suspends working due to snow or ice, the wiper will not work to protect motor. In case of such circumstance, set the rear wiper at “OFF”, remove the snow or ice on and around the wiper arm, and turn on the wiper again.



Automatic Wiper Function Activated

Under normal power supply, when the signal changes from "OFF" to "ON", the automatic wiper function is activated, and the wiper runs at a low speed for one time.

When the brake is stepped down and the motor start-stop button is set at “ON”, the automatic wiper function is activated. If there is water vapor on the

windscreen (nominal quantity), the automatic wiper command is given; and if there is no water vapor (the nominal quantity), the automatic wiper command is not given.

After power on, if the rain sensor fault is detected, the fault signal should be sent no matter whether the "AUTO" switch is effective or not. After the automatic wiper function is activated, and the rain sensor has no fault, please keep using the automatic wiper control mode.

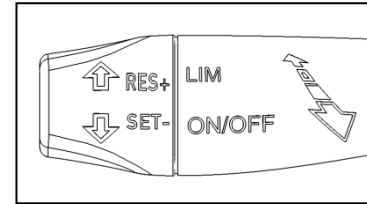
ON/OFF: cruise switch

CANCEL/C: cruise canceled

HEADWAY: memory cruise

RES+: cruising speed +

RES-: cruising speed -



Cruise Control System Function Switch

1. During driving process, set the switch at “ON”, turn on cruise control, and set switch at “OFF” to turn it off. When you set the switch at “SET-” after the cruise control is turned on, the vehicle starts cruising at the current speed. You can speed up by switching toward “RES+”, and speed down by switching toward “RES-”. You can also step down brake / accelerator pedal to cancel cruise control. When you set to “RES+” to, you can resume to cruise control. “LIM” means active speed limit switch. When you set at the maximum speed, the vehicle will not exceed the set speed.

Cruise Setting

Setting the gear at D, keeping speed over 40km/h, pressing down the cruise setting button, and activating the cruise function, the cruise indicator is constantly on.

Speed Adjusting

1. When it is cruising, press down speed-down button to reduce the speed goal.
2. When it is cruising, press down speed-up button to increase the speed goal.
3. Step on accelerator to speed up to the speed goal, press down the setting button to set the current speed as the speed goal.

4. Step on brake pedal to the speed goal, press down the setting button to set the current speed as the speed goal.

Cruise Releasing

1. Step on brake pedal.
2. Press the exit button.
3. Press main switch of cruise (function switch).

Cruise Resuming

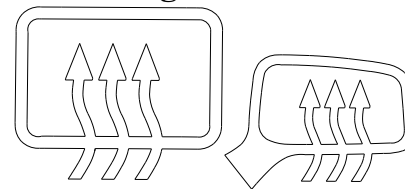
After releasing cruise (when the cruise system is not turned off), when the speed is over 40km/h, press cruise resuming button, and continue cruising at the resumed speed.



Notes

1. You are recommended to use cruise control on flat or broad road.
2. The improper operation of cruise control may result in accident, so please note driving safety.
3. Please turn off cruise function when you do not use it.

Defrosting Switch



When the brake is stepped down and the motor start-stop button is set at “ON”, you can operate the defrosting switch (the vehicle without rearview mirror heater has no sign as shown in the right figure.).

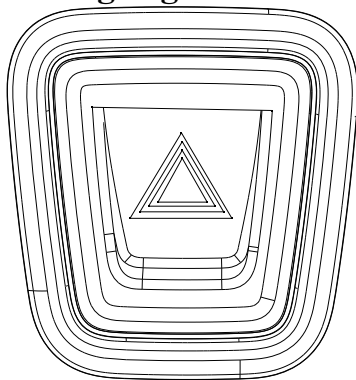
The defroster is used for reducing the moisture, mist and frost on rear windows and improving rear vision. When you press the defroster switch, the indicator is on, and the rear defroster works about 14 minutes.

After 14 minutes, press the defroster switch again, to turn off defroster.

⚠ Caution

● When washing the inside of windows, don't scrape or damage the wires on windows.

Warning Light Switch



When you stop driving or park your car in emergency, the warning light can

remind of other drivers.

When you press the warning light switch, all turn signal lights flash. To turn off all warning light, please press the warning light switch again.

Klaxon Button

When you press the klaxon button on steering wheel, the klaxon will work.

When you release the klaxon button, the klaxon will stop working.

Control Function of Steering Wheel

When you press the klaxon button on steering wheel, the klaxon will work.

When you release the klaxon button, the klaxon will stop working.

When multi-functional steering wheel

is connected to steering column via spline, turn steering wheel to driver steering column so as to control vehicle moving direction. There are several buttons in steering wheel. The back light of buttons is white. The buttons are connected to multimedia controller to control radio, volume, mode change, phone and others:

1. Touch the button to enter the previous music (MP5 status) / search frequency reduction (radio status); touch and hold the button, to fast backward (radio status);
2. Touch the button to enter the previous music (MP5 status) / search frequency increase (radio status); touch and hold the button, to fast forward (radio status);
3. Volume up and down buttons;
4. Click to mute / click two times to cancel mute;
5. Click it to enter mode change. The order is radio, MP3, MP5, navigation,

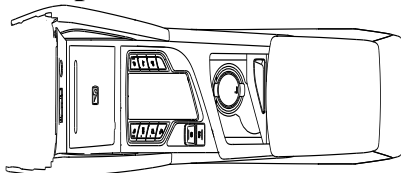
Bluetooth (circulating);

6. Under the status connecting to mobile phone Bluetooth, click the button to answer the call;
7. Under the status connecting to mobile phone Bluetooth, click the button to hang up the call;
8. OK, return, up and down, left and right selecting buttons on instrument menu;
9. Voice recognition key; and
10. One-button navigation key.

 **Caution**

Don't put the bottle with cap opening into the bottle holder, because the drink may get out of bottle when you open or close doors or drive.

Ash pan



It is equipped in the middle cover cup holder.

 **Warning**

To focus on driving, don't place drink bottle of cup here.

 **Caution**

If you put drink bottle and other cups here, it may affect your gear shifting, and using the button in the front of it.

Visor

Bill Fold

You can directly see the bill fold.

 **Caution**

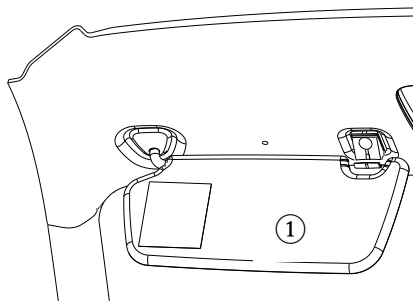
Don't insert the card or several bills over 1mm thick into the bill fold.

Make-up Mirror

To use make-up mirror, downwardly pull the visor to open the cover of make-up mirror; and you can use the make-up mirror under the lighting of it.

To shelter the light from the front direction, pull the visor to status ①.



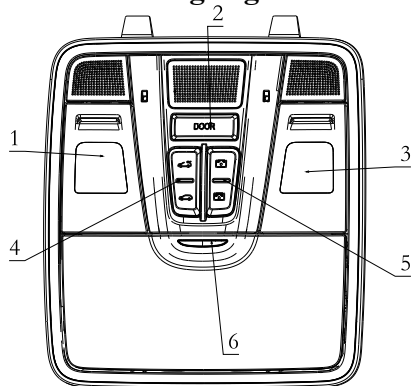


Interior Lighting

Warning

- If the motor does not work for a long time, don't turn on the lighting to avoid use out battery.
- Upon getting off your car, please turn off light.

Front Reading Light



1. The bulbs are controlled by switch 1 and 3;
2. When you touch switch 2, the status of doors control bulb;
1) Delayed off: five doors (including hatchback) are closed, and top light is off within 30s (the time stroke is 3s); either one of five doors is not closed, the top light is on, and

it will be off after 10 minutes if you have no operation.

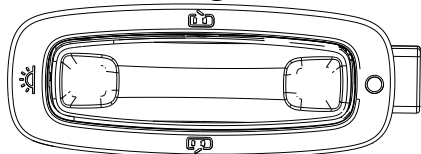
2) When the five doors are closed and the motor start-stop button is used, and the central control lock is used, the light is immediately off; and when five doors all closed, the light is immediately off;




3) When you do not start your car, and you apply remote control to unlock or receive PEPS unlocking signal or central unlocking or front passenger door key unlocking, the interior light is on; when the motor is off, the door light is on. (After door light is on, it will be off within 30s if you have no operation);

3. Switch 4 and 5 respectively control sunroof glass and curtain.

4. Switch 6 controls glasses box.

Rear interior light



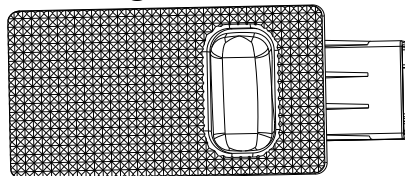
The switch has three gears, and three statuses.  Corresponds to OFF,  corresponds to DOOR gear,  corresponds to ON gear.

When it is set at ON gear, no matter the door is opened or closed, the light is on.

When it is set at OFF gear, the light is off.

When it is set at DOOR gear, and the front reading light is set at DOOR gear too, the control and front reading light are the same.

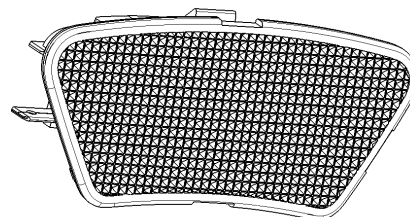
Trunk Light



The trunk light is set in the hatchback

trunk. When the hatchback is opened, the light is on. When the hatchback is closed, the light is off.

Door light



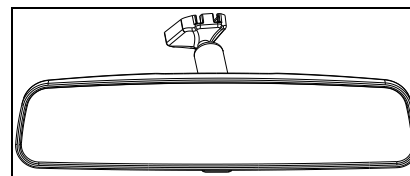
It is on when a door is opened, and off when a door is closed for a while.

Rearview Mirror



Warning

Before driving, check the position and angle of all rearview mirrors, and don't adjust the rearview mirrors in car so as to be focused on driving.

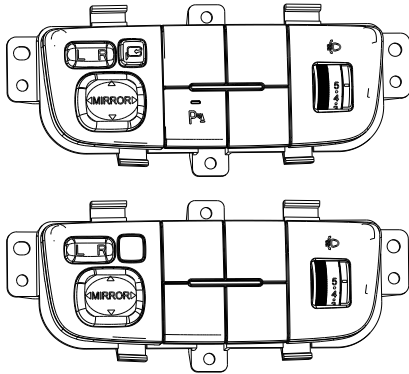


Interior Rearview Mirror

Manual Control Type

Adjust the angle of interior rearview mirror to the proper position.

Remote Control Type



When the switch is set at “ACC” or “ON”, the remote control and adjustment are applicable to the exterior rearview mirror.

1. Turn switch to choose the outer rearview mirror.
2. Press the button “Up”, “Down”, “Left” and “Right” on adjusting switch to adjust the angle of rearview mirror.

Exterior Rearview Mirror

Warnings

- Don't touch the moving exterior rearview mirror to avoid clamping your fingers or damaging rearview mirror.
- The exterior rearview mirror is folded, don't drive, because it will low your backward visibility and cause accident.

The distance to the object in exterior

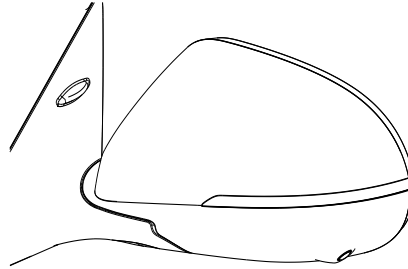
rearview mirror is closer than the actual distance.

● The size of and distance to objects outside the exterior rearview mirror are not true.

Adjustment of Rearview Mirror **Remote Control Type**

When the ignition switch is set at “ACC” or “ON”, the remote control and adjustment are applicable to the exterior rearview mirror.

1. Turn switch to choose the left rearview mirror or right rearview mirror.
2. Press the button “Up”, “Down”, “Left” and “Right” on adjusting switch to adjust the angle of rearview mirror.



Folding and Electric Adjustable Type

1. Press switch ④ to adjust the shell of rearview mirror to fold to the maximum angle.
2. Press the rear heater button on the A/C controller to start the heating function of exterior rearview mirror.

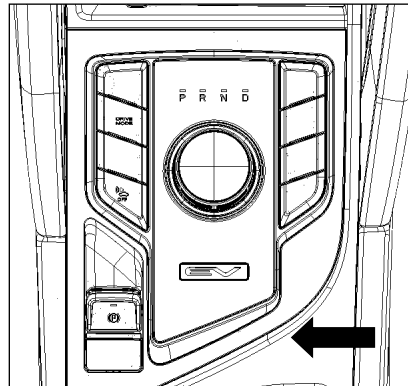
Parking Brake

⚠ Warnings

- Don't drive when using parking brake, or will make brake hot and invalid, and accident.
- Don't release the parking brake outside the car, because in such means you cannot step down the brake pedal when the car moves, and accordingly such will cause accident.
- Don't replace parking brake with parking (P) operating lever. When parking, ensure the parking brake can work fully.
- Don't leave child or incapable adult

in car alone. They may unintentionally release parking brake, and accordingly result in serious accident.

Electric Parking Brake (EPB)



Common function of EPB: static parking / releasing, assistant starting, re-clamping due to high temperature and dynamic parking.

Static Parking / Releasing

After parking well, pull EPB switch to start parking brake. The indicator of parking

brake will be on (red) and the LED on EPB switch will be on too.

When releasing parking brake, step down the brake pedal and then press EPB switch to release parking brake. The corresponding indicator will be off.

It is a normal phenomenon to hear EPB motor working when the parking brake is started and released.

⚠ Attention

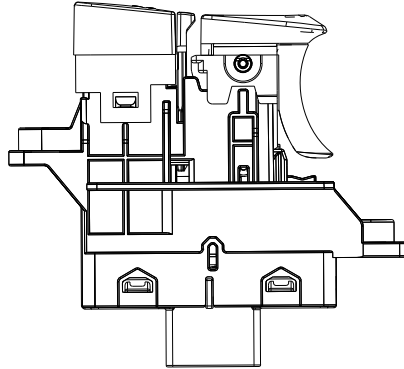
- If the car is parked for a long time, the battery may be insufficient of electricity or runs out, and the EPB will be invalid. Please promptly replace the battery. When the car is to be parked for a long time, you are recommended to disconnect the negative wire of battery to prevent the battery from being insufficient of electricity and keep the EPB valid.

⚠ Warnings

- During driving, don't touch EPB switch except any emergency.
- Don't place heavy object on switch.
- Apply proper parking method to ensure safety and reliability when leaving the car.
- If the EPB is faulted and the indicator is on, please go to the service stations authorized by DFSK for overhauling.
- If you are to replace the brake pad of rear calipers, please get in contact with the service stations authorized by DFSK

Dynamic Parking

During driving process, pull EPB switch to realize emergency parking.



⚠ Warning

- Such function can be used when the driving brake system is out of normal service.

Heater and Air Conditioner (A/C)

Safety Precautions

Warnings

- During driving, don't regulate the heating ventilator or air conditioner system or sound system so as to focus on driving.
- Please stop using the system and get in contact with the nearest service stations authorized by DFSK if finding any foreign matters in system, liquid onto system, smog from system or other abnormal cases; if you ignore such abnormal cases, it may cause accident, catch fire or get electric shock.
- Don't dismantle or modify the system, or it will cause a fire, get electric shock or others.
- Park the car at a safe place and apply parking brake, and then connect to device via secondary interface to see the image on

central display.

Reverse Camera System

When shifting to gear "R", the reverse camera system will show the image after the car. The system is for helping driver to detect the bigger stationary objects to avoid damaging car.

Please note that the system may not detect the small objects under or close to the bumper or on the ground.

Warnings

- Rearview camera is convenient for parking assistance rather than taking place of reverse method. Before reverse, please check and verify if it is safe to reverse. Please be slow when reversing the car.
- The system uses wide-angle lens, so distance from the car to the objects in the reverse camera system is different from the

actual distance.

- It is visually opposite for the objects in the reverse camera system, and it is the same to see the objects from the inside and exterior rearview mirror.
- Confirm that the hatchback is closed safely when reversing the car.
- The camera has limited service area, and it cannot show the area under the bumper and the corner.
- Therefore, don't place any objects on the camera, and the camera shall be installed on the decorative cover of license plate light.
- When washing the car with water torch, don't wash the area around the camera, or the water may get into the camera, condensate onto the lens, and accordingly result in fault, fire or electric

shock.

- Don't hit the camera which is a precise instrument, or it may be faulted or damaged, and accordingly result in fire or electric shock.

Caution

There is a plastic cover over the camera. Don't scratch it when removing dirt or snows from it.

How to Read the Reference Line in Reverse Camera System

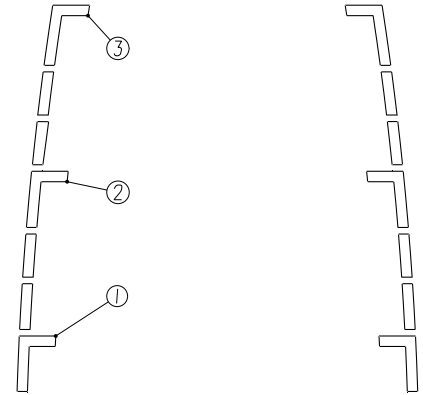
Warnings

- Use the line shown in the camera as reference line which is greatly subject to quantity of passengers, battery capacity, road conditions and slope. When reversing the car, keep directly observing the situation around the car.
- Only on the horizontally-paved roads, the distance reference line and car width reference line can be referred. The distance shown in the reverse camera system is for

reference only, and it may be different from the distance from the car to the objects shown.

- When reversing the car on slope, the distance from the car to the objects shown in the camera may be longer than that actual. When reversing the car on slope, the distance from the car to the objects shown in the camera may be shorter than that actual. Please use the interior rearview mirror or turn around to observe to correctly judge the actual distance.

- The reverse camera system shows the car length and the distance to the reference object from bumper reference line.
- These show the distance to the reference objects, and the reference line shown means the distance within ① 0.5m (red), ② 1m (yellow) or ③ 2m (green) to the bumper reference line



Operation Tips

- When driver shifts to gear “R”, the display screen will automatically shift to the rearview monitor mode of reverse camera system and give a voice prompt.
- It will take some time to shift to gear “R” from other gears or from gear “R” to other gears. Before the rearview monitor screen fully displays, the objects displayed may be deformed temporarily.

-
- When the temperature is too high or low, it is not a fault that the display screen may not clearly show the objects.
 - When the glare directly goes into the camera, it is not a fault that the display screen may not clearly show the objects.
 - The driver may see the perpendicular line on the objects shown in the display screen. It is just caused by reflection of bumper but not a fault.
 - It is not a fault that the display screen may flash.
 - The color of objects shown in the reverse camera system may be different from that of actual objects.
 - It is not a fault that the display screen may not clearly show the objects at dark place or night.
 - If there is dirt, rain water or snow on

the camera, the reverse camera system may not clearly show the objects, so please clean the camera.

- Don't clean the camera with ethyl alcohol, benzene or diluent. Such will cause color fading. To clean the camera, please wipe it with a cloth dipped with neutral detergent, and then wipe it with a dry cloth.
- Don't damage the camera, because the display screen may be impacted.
- Don't wax the camera. Wipe all waxes on it with a clean cloth dipped with neutral detergent.

Heating Ventilator and Air Conditioner



Warnings

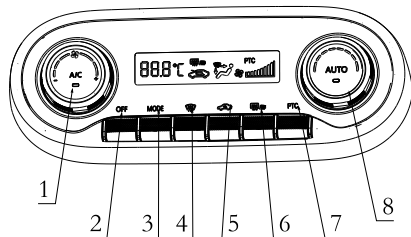
- Heating ventilator and air conditioner can only work when the motor is operating.

However, when the motor is off, the brake is stepped down and the motor start-stop button is set at "ON", the fan can work normally.

- Don't leave the child or other adults who need to be taken care of or the pet in the car alone, because they may unintentionally touch the switch or controller, and accordingly result serious accidents or casualties. On a hot and sunny day, the temperature in the closed car will rise quickly, which may cause serious or fatal damage to person or animal.
- Don't use the internal circulation mode for a long time, or it may result stable air in car or foggy windows.

A/C Control Panel

A/C controller (electric)



1. A/C air volume control knob
2. OFF button
3. Top blowing mode → top and foot blowing mode → foot blowing mode → foot blowing mode and defrosting mode
4. Front defroster button
5. Internal and external circulation button
6. Rear defrosting and rearview mirror heating button
7. PTC heating button
8. Temperature button and automatic button

Operation of Heating Ventilator Heating (if equipped with auto A/C):

1. When you press the automatic A/C button “**AUTO**”, the indicator is on, and the A/C system automatically controls air volume, air mode, internal and external circulation and compressor, and keep the current setting temperature.

2. If you don't use the auto mode, you can select internal/external circulation mode for normal heating as per your demands. Where there is great a difference in inside and outside temperature, use the external circulation mode, so as to reduce the case that the windows get foggy.

3. You can select the air mode you need by pressing mode button “**MODE**”. You can switch the air mode in the order of top blowing mode → top and foot blowing


mode → foot blowing mode → foot blowing mode and defrosting mode.

You can control air volume by using the buttons air volume + and air volume -.

You can control temperature by using the buttons temperature + and temperature -.

Heating and Defrosting:

It is for heating the inside car and defrosting the windows.

Where there is great a difference in inside and outside temperature, ensure that the internal circulation button  is off (the indicator is off), to reduce the case that the windows get foggy. When the air humidity is greater, start AC.


You can press the button “**MODE**” to switch mode as per your demands. You can switch the air mode in the order of top

blowing mode → top and foot blowing mode → foot blowing mode → foot blowing mode and defrosting mode, and adjust to foot blowing mode.

You can control air volume by using the buttons air volume + and air volume -.

You can control temperature by using the buttons temperature + and temperature -.

Quickly defrost the outer surface of windscreens, and regulate the air volume to the largest.

If it is difficult to defrost the windscreens, you can press the button  ” to regulate the mode to defrosting mode.

Operation of A/C

The A/C system shall work 10 minutes every month so as to avoid it is damaged due to lack of lubrication.

Cooling

It is used for cooling and defrosting air.

Press down the internal circulation button



Regulate the mode to face blowing




1. Regulate the air volume as required.
2. Press down “A/C” button. (“A/C” indicator is on.)
3. Lower the temperature. If you want to cool the car quickly, lowest the temperature. Under the moist heat condition, you will see mist from the ventilator, which is caused by quickly cooling of air, and it not means fault of ventilator.

Dehumidifying and Defogging

It is used for defogging the windows and dehumidifying the air.

1. Press down the front defroster’s

defogging button “” (the system automatically starts A/C, the inlet mode is external circulation, but it can be regulated manually.)

2. You can control air volume as required by using the buttons air volume + and air volume - transition.
3. You can control temperature as required by using the buttons temperature + and temperature -.

Where there is great a difference in inside and outside temperature, use the external circulation button. When the air humidity is greater, start AC, so as to reduce the case that the windows get foggy.

Rear Defroster and Rearview Mirror

Heating



Give out the signal request for rear defroster and rearview mirror heating (via CAN)

- ① Where the generator starts, in any system control state, it is valid to operate

this key, and it will not exit the corresponding state, and the key state will not be remembered;

- ② When the key is used, the operating indicator is on.

The LCD displays the corresponding icon (in non-off state). After receiving the BCM feedback signal (through CAN), it will be automatically closed after 15 minutes. If no feedback signal is received, the indicator will be off and the screen icon will disappear.

- ③ Manually press this button during process, turn off the rear defroster and rearview mirror heating. The indicator is off, and screen icon disappears;

- ④ The rear defroster will not be affected by any system status.

Air Volume Button

Air volume can be set in 1-8 levels, clockwise rotation is for air volume +, and counterclockwise rotation is for air volume -;

① Use the button under OFF status, activate the system to get the air volume level 1. Return to the status before OFF for others (if it is AUTO before OFF, exit AUTO).

② Use the button under MANU and DEF, it will not exit from corresponding status, the air volume will change at the current position, other settings remain the same, and LCD displays real-time settings.

③ Use the button under AUTO, it will exit from AUTO and enter MANU, the air volume will change at the current position, other settings remain the same, and LCD displays real-time settings of temperature, air volume and internal and external circulation.

Temperature Button

The temperature available is 17-32°C.

Clockwise rotation is for temperature +, and counterclockwise rotation is for temperature -. When the temperature is reduced to 17°C, the LCD displays Lo and remains the same when you keep rotating counterclockwise. When the temperature rises to 32°C, the LCD displays Hi and remains the same when you keep rotating clockwise.

① Use the button under OFF, activate the system, return to the status before OFF, and the LCD returns to the corresponding before.

② Use the button under MANU and DEF, it will not exit from corresponding status, the temperature will change at the current position, and other settings remain the same.

③ Use the button under AUTO, it will not exit from AUTO, the temperature changes at the current position, other settings remain

the same, and LCD only displays temperature.

PTC Heating Button

Use the button to send the request for starting PTC, and press the button off, the indicator will be off.

① Use the button under OFF, activate the system, return to the status before OFF, and the LCD returns to the corresponding status.

② Use the button under MAUN and DEF, it will not exit from the system status, and PTC asks to change status.

③ Use the button under AUTO, it will not exit from AUTO but enter MANU, and PTC asks to change status, and others remain AUTO.

OFF Button

① When the button is used under any system status, it will enter OFF (standby) status, and the system remembers the current settings (air volume, AC, PTC off), and it will

remain the same when you press the button again.

② In the case of continuous power supply, the unfinished action should be completed.

③ The operation of internal and external circulation and rear defroster shall be maintained under OFF status.

Overhaul of A/C



The A/C system includes the coolant under high pressure. To avoid personal injury, the A/C system shall be repaired by the senior technical who has special equipment.

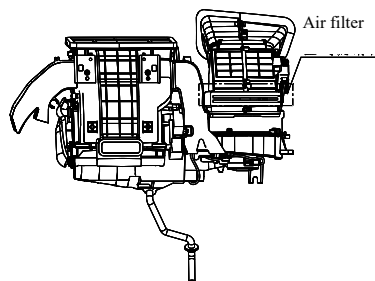
Your car A/C system contains the environmental coolant.

Such coolant will not damage the ozone layer of the earth. However, it has a slight impact on global warming.

When repairing your car A/C, use the special filler and lubricant. The disqualified coolant or lubricant will seriously damage the A/C system. (See details in “X. Technical Information” for “A/C Refrigerating Fluid and Lubricant”.)

The service stations authorized by DFSK can overhaul your environmental A/C system.

A/C Filter



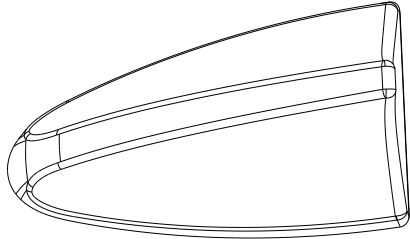
The A/C system is equipped with A/C filter (in HVAC assy.) for removing dirt, pollen, dust or others.

To ensure that the A/C can effectively heat, defog and ventilate, please replace the filter as per the maintenance period as specified in the annexed maintenance manual. If replacing the filter, please get in contact with the service stations authorized by DFSK

If the air flow is obviously reduced or the windows are foggy when the ventilator or A/C is working, please replace the filter.

Audio Entertainment System

Antenna



Shark fin antenna

To ensure radio effect, don't dismantle or replace the antenna without permission.



Caution

- Keep the antenna far away from electronic control module as far as possible.
- Keep the antenna and motor 20cm away from the motor control harness. Don't parallel the antenna to any harness.

Sound System

For better operation of sound system, we

provide the detailed instructions for sound system so as to be convenient for your use, diagnosis and repairing.

Precautions for Sound System Operation



Warning

During driving, don't regulate the sound system so as to focus on driving.

Carcorder

1. It is automatically on when it is set at gear "ACC / ON"; touch and hold power button for 2s to turn it off under the on status, and touch the power button to turn it off under the off status;

2. Under the on status, click carcorder APP at MP5 terminal to enter video interface;
3. Click the screen on carcorder interface to set parameters;
4. click mode button under recording pause status to look back recorded videos; and
5. Carcorder is available for cyclic recording.

Notes:

- 1) The carcorder is with gravity sensor which is turned off in factory setting and the user can set it as required. If you starts the gravity sensor, please regularly enter the carcorder

setting interface to format the memory of carcorder so as to improve user experience.

2) If recording the video of 1080P, the carcorder memory (16G) can only record for 2.5 hours. In case of accident, please record the valid video timely.

Reverse Camera System

Surround View Camera

1. The panoramic system has four wide-angle cameras around the vehicle that can cover all the field of view around the vehicle, and processes the multi-channel video images collected at the same time into a 360-degree overhead view of the vehicle body, which is finally displayed on the screen of the dashboard for the driver to clearly check whether there are obstacles around the vehicle and know the relative position and distance of the obstacles so as to park the vehicle easily.

1) On or Off

On: set power supply at ON gear, turn on MP5 display screen and show surround view camera on main interface.



● Since it will take about 6s to start surround view camera, if the driver

requests to display the surround view within 6s after switching to IGN with start-stop switch, the corresponding request will not receive a timely response. It is suggested that the driver should wait patiently until IGN is ON for 6s and then request to display the surround view.

● Off: Press the main interface button in the parking interface. Automatic being off and entry: in the surround view interface, if the speed is greater than 25km/h, the surround view camera will be automatically off. When the speed is within 20km/h again, the surround view camera interface will be automatically entered.

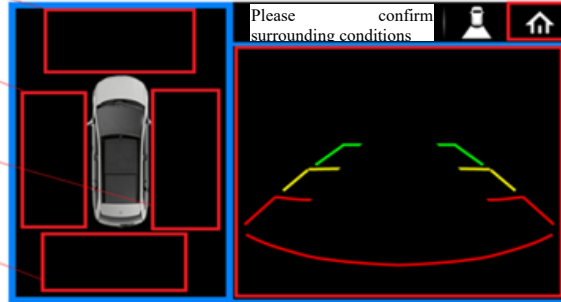
Button S/N	Button Name	Button Function
Button 1	Homepage Button	Turn off surround view camera and back to main interface
Button 2	Front-view Button	Display the image information of front camera in the side-view box in the aerial view.
Button 3	Left-view Button	Display the image information of left camera in the side-view box in the aerial view.
Button 4	Right-view Button	Display the image information of right camera in the side-view box in the aerial view.
Button 5	Rear-view Button	Display the image information of rear camera in the side-view box in the aerial view.

Button 2


Button 3


Button 4


Button 5

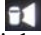


Button 1

 indicates that the current view is front-view.

 indicates that the current view is rear-view.

 indicates that the current view is left-view.

 indicates that the current view is right-view.

 Attention

If the image cannot be displayed or the display is abnormal, please go to the 4S store for repair

Player

● The reception quality of station may be affected due to signal strength, radio emission distance, building, bridge, mountain and others. In general, the reception quality is caused by the said reasons.

● Using the mobile phone in car or nearby will affect the reception quality.

Multi-function Button of Steering Wheel


1) “MODE”: mode switching among navigation, music, video, Bluetooth and AUX;


2) “^”: RADIO mode: touch to switch to the previous stored broadcasting station; touch and hold it (for $\geq 1.5S$) to automatically search for the previous broadcasting station; music / video and

Bluetooth mode: touch (for $< 1.5S$) to switch to the previous song/video;

3) “v”: RADIO mode: switch to the next stored broadcasting station; touch and hold it (for $\geq 1.5S$) to automatically search for the next broadcasting station; music / video and Bluetooth mode: touch (for $< 1.5S$) to switch to the next song/video;

4) “Scroll knob”: touch: scroll the knob upwardly to increase the sound volume, and scroll the knob downwardly to decrease the sound volume under any mode;

5) “”: touch it to realize OFF / recover sound output under any mode; and touch and hold it for $\geq 1.5S$ to turn off; and

6) “”: Bluetooth mode, if calling, press to answer the call / hang up, and touch and hold it for $\geq 1.5S$ to resist to answer a call.

Wireless Charging Function

It is connected to power + and used under the "ON". Mobile phone shall have wireless charging function, and mobile phone patch shall pass Qi certification. Wireless charging has influence on the PEPS low-frequency antennas, that is to say it interferes with PEPS system to find the key, and requires an external PEPS controller CAN network signal. When the PEPS system drives the low-frequency antenna to find legal key, and the wireless charging assembly detects that the PEPS input PIN is low level (less than 1V), then stop charging within 15ms, and continue charging when the legal key is found.

Voice Interaction

Voice interaction means the function including communication, navigation, music playing, A/C controlling and

information inquiry.

Note: Do start the voice assistant before voice interaction.

1. Start voice assistant

a) By pressing button

Press the button on the steering wheel to start the voice assistant.

b) Voice

Use the term “Glory, Hello / Hello, Glory” to start the voice assistant.

Do the next voice interaction upon hearing “Tell me / I am here”.

2. Help terms

Use the term “phone / navigation / music / radio help, how to use phone / how to use navigation” to get the relevant methods.

3. Communication

a) Call

Use the term “call xx / make a call to xx /

call one’s number / dial 156... / call mobile customer service” to find the phone number and dial as per voice prompt.

b) Review Call Records

Use the term “review the dialed calls / missed calls / answered calls / call records” to review the relevant records.

c) Review Phone Book

Use the term “open / review contact list / contacts” to review the phone book.

Note: The communication can be realized after the phone is connected to car via blue tooth.

Sunroof

a) Sunroof / visor on & off

The term “open sunroof / close sunroof, open visor / close visor” can be used to open or close the sunroof or visor.

b) Sunroof raised opening

The term “sunroof raised opening” can be used to make the sunroof raised opening.

Windows

a) Windows on & off

The term “open windows / close windows, open front left window / close front left window, open rear left window / close rear left window, open front right window / close front right window, open rear right window / close rear right window” can be used to open or close windows.

Hatchback

a) Hatchback on & off

The term “open hatchback / close hatchback” can be used to open or close the hatchback.

11 Seat

a) Seat heating

The term “turn on heating for all seats / turn off heating for all seats, turn on heating for driver’s seat / turn off heating for driver’s seat, turn on heating for front passenger seat / turn off heating for front passenger seat, turn on low-temperature / middle-temperature / high-temperature heating for seats” can be used for seats heating.



MP5

1. Message Center
2. USB Music
3. Picture
4. Settings
5. Music

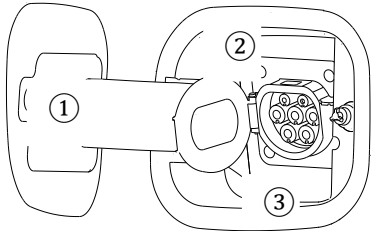
Note: As for specific operation of various functions in MP5 interface, the driver can enter "Settings" in the system interface.

Vehicle Charging

Attention

In the cold weather or snow, when the charging port cover is frozen, do not force to remove it. Use hot water or other heating devices with a maximum temperature of less than 100 degrees to melt the ice before removing the charging port cover.

Charging Port



Warnings

- The power supply is set at “OFF”.
- Unlock the car and remove the AC charging port cover.
- It may be unlocked by pressing.
- When the power supply plug is connected, AC charging connection device's power indicator is on.

-
-
- When the charging plug is connected to the vehicle, the integrated instrument lights up the charging connection indicator. Meanwhile, the AC charging connection device's power indicator flickers.
 - During the charging process, the integrated instrument displays the relevant charging parameters and the charging animation.
 - To finish charging: press the remote key unlocking button once and pull out the vehicle plug.
 - Disconnect the power supply plug.
 - Apply the AC charging port cover and cover plate.
 - Finish charging.

Environment Requirements for Use of Charging Gun

Charging equipment shall be located at the position with rain facilities such as rain shelter.

Charging equipment shall be located at the position without deep ponding.

Charging equipment shall not be located at the position with heavy dust.

Basic Conditions for Use of Charging Plug

1. Basic conditions for choosing charging gun holder:

Choose the charging gun with national standard certification; and

Choose the charging gun with a temperature sensor.

2. Basic conditions for choosing charger:

Choose a charger equipped with two or

more charging guns. The charger should be programmed so that the charging gun can be used alternately.

Choose the charger controlled by temperature sensor and which has the function of power off by high-temperature alarm control.

3. Basic conditions for operating charger:

When charging, choose the one with lower temperature for charging;

When charging, choose the clean one with for charging; and

When charging, conform to other requirements in instructions.

Charging Preparation Stage

Observe the charging gun, charging gun holder insulator, pin and jack to make sure that there is no foreign matter.



Warning

- If any unknown foreign matter is found in the charging gun, charging gun hold insulator, pin and jack, immediately report to the equipment safety officer and clean it according to the instructions under his guidance. If it cannot be cleaned, the charging process shall be immediately terminated and relevant after-sales technicians shall be notified.

Charging Stage

1. Press the "UNLOCK" button on the charging wall to remove the dust cover of the charging gun, or get the charging gun from the charging gun holder.
2. Hold the charging gun handle with one hand, hold the lower end of the charging gun with the other hand, and drag the charging gun to the vehicle to be charged.

3. Keep the charging gun facing the charging socket, press the button to unlock the charging gun with your thumb evenly, and insert the charging gun vertically into the charging socket.

4. Press the "UNLOCK" button of charging gun and pull the charging gun outward with force (no more than 200N) to make sure it cannot be separated, indicating that it is in place.

5. After the connection correctly, swipe card and charge according to the prompts of the charging pile operating system.



Wa
rni
ngs

- Charging gun are prohibited to be inserted into charging gun holder slantwise;
- It is forbidden to swing the charging gun from side to side when inserting, and it

must be inserted with force vertically;

- When charging, the charging gun cable must be straight and not twisted to avoid forcing the charging gun holder.

- During charging, the charging operator must ensure that the charging process is monitored, and the charging process shall be terminated immediately in case of severe weather including but not limited to three types typhoon, rainstorm and hail.

- During charging, if the charging port keeps emitting strong pungent smell, immediately stop charging and report to the device safety officer.

Charging Finishing Stage

1. After charging is completed, the charging pile system will automatically cut off the current, or manually cut off the power supply of the charging pile before

drawing the charging gun.

2. Hold the charging handle with one hand, press the "UNLOCK" button with your thumb, hold the lower end of the charging gun with the other hand, and pull out the charging gun vertically with equal force.

3. Close the charging socket cover.

4. Close the dust cover of the charging gun or insert the charging gun into the gun holder of the charging pile.



Wa
rni
ngs

- It is strictly prohibited to swing the charging gun from side to side when pulling it out; and the cover of charging socket must be closed in place;
- Close the dust cover of the charging gun or insert the charging gun into the gun the specified charging gun holder of

charging pile.

Maintenance

Charging gun clearing:

Under normal conditions, use a high-pressure air gun or brush to clean it weekly. If you do not have any condition, you can use a clean cloth or cotton swab to clean the charging socket. In case of any unexpected circumstances such as charging gun

abandoned or dropped on the ground, the said method should be promptly used for cleaning.

Charging Gun Holder Clearing

Under normal conditions, use a high-pressure air gun or brush to clean it weekly. If you do not have any condition, you can use a clean cloth or cotton swab to clean the

charging socket. In case of any unexpected circumstances (the dust cover of socket is not closed), the said method should be promptly used for cleaning.

It is forbidden to touch the charging pin and charging jack with sharp objects such as screwdriver and tweezers to avoid damage to them.



Warnings

- Please charge in a relatively safe environment without liquid, fire and others. Please stop using the device immediately when the discharge is abnormal.
- Do not modify or remove the charging equipment and related ports to avoid charging failure and fire.
- Before charging, please make sure that there is no damage or impact of water, foreign matter or metal terminal rust or corrosion in the charging port of vehicles, power supply device and charging equipment, which are not allowed to charge. Because the abnormal terminal connection may lead to short circuit or electric shock threatening life safety.

- If any abnormal smell or smoke coming from the car while charging, please stop charging immediately.
- To avoid serious personal injury, please note the following when charging: do not touch the charging port.
- When there is a thunderstorm, please do not charge or touch the vehicle, because lightning strike may damage the charging equipment and cause personal injury.
- After charging, do not disconnect the charging equipment with wet hands or standing in water, otherwise you may suffer from electric shock and personal injury.
- Please make sure that the charging equipment is disconnected from the charging port of the vehicle before driving.
- It is forbidden to use medical equipment in car when charging.

Notes for Charging

When the SOC indicator bar of the integrated instrument enters the red warning box, it indicates that the power battery is insufficient. It is recommended to charge in time when the power capacity drops to the red warning box to ensure that you will not be unable to drive due to insufficient power. It is not recommended to charge after the power capacity is completely exhausted, otherwise the service life of the power battery will be affected.

When the battery temperature is higher than 65°C or lower than -20°C, the vehicle will not be able to charge normally. Household AC charging is charged by the

AC charging equipment equipped. It is recommended to use 220V 50Hz 16A AC circuit and grounding socket. Special circuit is to avoid line damage or line tripping protection due to the high power when charging the power battery. If no special circuit, it may affect the normal operation of other devices on the line.

- To avoid damaging the charging equipment:

1. Do not close the charging port cover plate when the charging port cover is opened.
2. Do not pull or twist the charging cable;
3. Do not hit the charging equipment;
4. Do not place the charging equipment near a heater or other heat sources.

- When the external power grid is cut off and the power is supplied again, the charging equipment will automatically

restart charging without reconnecting to the charging equipment.

- When charging, personnel are not recommended to stay in the vehicle.

- When charging, it is recommended to park your car in a ventilated place.

- When charging, the power supply should be set at "OFF" gear. The power supply can be charged when it is set at "OFF", "READY" or "ON" gears. When charging, the vehicle can enter the "OK" gear, but you cannot drive. You are not recommended to set the power supply at "ON" or "READY" gear during charging.

- When charging, the power distribution box under the auxiliary instrument is in the working state, and then the "clicking" sound of the relay will be made for several times.

- When the power battery is fully charged, the system will automatically stop

charging.

- When the charging is stopped, the vehicle plug should be disconnected first, and then the power supply plug should be disconnected.

- Before starting vehicle, please make sure that the charging equipment has been disconnected, the charging port cover and charging port cover plate have been closed, because the vehicle may get into "ON" gear when the charging equipment locking mechanism is not fully locked. If the charging port cover is not closed, water or foreign matters may enter the charging port, affecting normal use.

- When the ambient temperature is below 0°C, the charging time is longer than usual.

- If the vehicle is not used for a long time, it is recommended to charge once every 3 months so as to prolong the service

life of power battery.

- For ease of use, the integrated instrument will indicate the expected time of full charge.

Charge Mode

This car is a pure electric car, using the power provided by the battery to run. To avoid being unable to use EV mode due to power battery loss, it is very important to timely charge and calculate the power demand before driving.

Two Charging Methods for This Car

I: AC

Household socket

1. The charging equipment (three-core to seven-core) is a charging device equipped with the vehicle. It connects the vehicle to the household standard 220V 50Hz 16A single-phase bipolar grounding

socket to charge the vehicle.

2. The socket should be the special charging socket, because the high-power charging will lead to line damage and line tripping protection, affecting the normal use of other equipment.

Slow-charging pile

1. The slow-charging pile connects the vehicle to the standard 220V 50Hz 32A single-phase bipolar grounding socket for special domestic installations to charge the vehicle.

2. Generally, the slow-charging piles are installed in private parking lot, supermarket, shopping mall or parking lot and other public places.

II: DC

Fast-charging pile

Generally, the fast-charging piles are installed in private parking lot, supermarket, shopping mall or parking lot and other

public places.

Charge Method Introduction to Charging

When the power bar in the power display area reaches the red warning box, it is recommended to charge in time.



No

te

It is recommended to charge in time when the battery reaches the warning red box, so as to ensure that EV mode will not be unable to be used due to insufficient battery. Meanwhile, instant charging is good to the battery; and it is not recommended to charge after the battery runs out.

Inspection before Charging

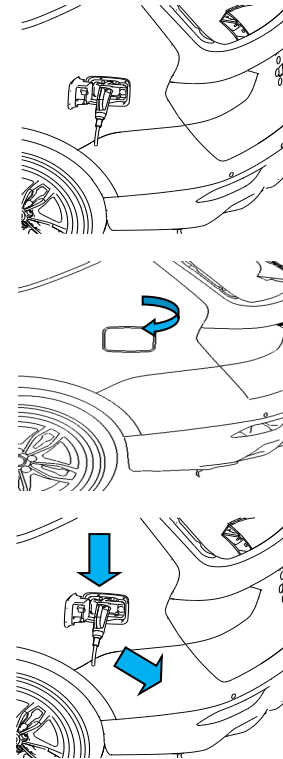
- Make sure the charging equipment is not scratched, rusted or cracked or the surface of the charging port, cable, control box, wire and plug is not damaged.
- Do not charge if the surface of the vehicle socket is damaged, rusted or cracked or the connection is too loose.
- When the vehicle plug is dirty or wet, wipe it with a dry and clean cloth to make sure it is dry and clean.

Vehicle Charging Method

Household Charging

- The three-core to seven-core AC charging equipment is used to connect the vehicle to the household single-phase bipolar grounding socket, with one end connected to the household 220V 50Hz

10A single-phase bipolar grounding socket and the vehicle plug connected to AC charging port.



Instant Charging Method

1. The power supply is set at “OFF”.
2. Unlock the car and remove the AC charging port cover.
3. When the power supply plug is connected, AC charging connection device's power indicator is on.
4. When the charging plug is connected to the vehicle, the integrated instrument lights up the charging connection indicator. Meanwhile, the AC charging connection device's power indicator flickers.
5. During the charging process, the integrated instrument displays the relevant charging parameters and the charging animation.
6. To finish charging: press the switch to unlock the vehicle and pull out the vehicle plug.
7. Disconnect the power supply plug.
8. Put the charging equipment into the

- special charging bag and place it properly;
9. Apply the AC charging port cover and cover plate.
 10. Finish household AC charging.

Charging Case of Slow-charging (Fast-charging) Pile

Connect the vehicle plug and socket of the charging case of slow-charging (fast-charging) pile to realize charging.

Instant Charging Method

1. The power supply is set at “OFF”.
2. Unlock the car and remove the AC charging port cover.
3. Connect the vehicle plug of wall-mounted charging box.
4. Under normal conditions, turn on the emergency switch to start charging.
5. The charging box indicator is on, and the charging indicator is flickering.
6. The integrated instrument lights up the charging connection indicator.

7. During the charging process, the integrated instrument displays the relevant charging parameters and the charging animation.
8. If you need to stop charging, unlock the vehicle and unplug the charging gun; and if the charging has been completed, the charging box will automatically finish charging.
9. Apply the AC charging port cover and cover plate.
10. Finish charging box AC charging.



If the cover plate of the charging port is frozen in snow or cold weather, the cover plate of the charging port may not bounce off automatically when you press the cover plate of the charging port. In this case, it can

be opened in the following ways:

Use hot water or other heating devices with a maximum temperature of less than 100 degrees to melt the ice before removing the charging port cover. Please do not open the cover plate forcibly.

Description of Electronic Lock Unlocking Failure

When the battery is full, the charging gun will not pop up automatically. There is a cover plate available in the trunk of the car. Remove the cover plate and pull the gripper after the cover plate to unlock the electronic lock manually, and pull out the charging gun.

General Charging Failure Diagnosis

- Charging failure: physical connection is completed and charging is started.

1. Power battery is full: when the power battery is full, charging will stop

automatically.

2. Power battery temperature is lower than 0°C or higher than 40°C: the power battery is allowed to heat or cool before charging, and the vehicle is placed in an environment with appropriate temperature, and it can be charged after the temperature is normal.

3. Transient discharge of 12V battery: lap the 12V power supply from other vehicles, and charge the low-voltage battery after the vehicle starts.

4. 220V 50HZ 10A standard single-phase bipolar grounding socket has no power: confirm whether the power supply is equipped with overload protection, use the special charging power supply 250V 50HZ 16A standard single-phase bipolar grounding socket.

5. Fault of vehicle or AC charging connection device: make sure that the

power system fault indicator is on the integrated instrument, or there is a fault voice prompt of charging system, stop charging, and suggest contacting Chongqing Jinkang service center.

6. Fault of charging pile or vehicle display: make sure that the power system fault indicator is on the integrated instrument, or there is fault of charging pile display, then stop charging and contact the authorized service store of Chongqing Jinkang.

- Stop charging halfway


1. Power supply is off: after the power is restored, charging will automatically start again.

2. The charging cable is not well connected: make sure that the charging connection device cable is not connected.

3. The switch of charging connection device is pressed: when the switch of charging connection device is pressed, it will stop charging, and the charging connection device should be reconnected

for charging.

4. Power battery temperature is too high: when the integrated instrument shows that the power battery temperature is too

high, and  the alarm indicator is on, the charging will stop automatically.

5. Cool the battery before charging again.

6. Fault of vehicle or charging pile: confirm that there is fault indication of charging pile or vehicle, and suggest to contact the authorized service store of Chongqing Jinkang.

Discharge Method

1. If any, it can discharge the electric appliance simultaneously through the equipment inside and outside the vehicle.

a) Discharge inside the vehicle is that the vehicle is equipped with a socket to directly connect to the electrical equipment;

b) Discharge outside the vehicle is that the vehicle discharges from the vehicle to the VTOL.

2. The maximum discharge power inside the car is 2200VA, the maximum discharge power outside the car is 3300VA, and the discharge voltage is 220V household voltage.

3. VTOL: a car with electricity can supply to electrical appliances such as mobile phone, computer and so on for charging via VTOL.



No
te:

Use this function when the SOC is high as far as possible.

You are advised to unplug the device when the device is not used, to avoid the static

power consumption at "OFF" gear.

When the front cover of the vehicle is not closed or the instrument has oil pressure alarm, coolant alarm and other information, it may lead to abnormal motor starting and function. Discharge function should be used at high SOC.

Inside Discharge Method

Inspection before Discharging

1. Do not discharge if the surface of the socket is damaged, rusted or cracked or the connection is too loose.

2. When the plug is dirty or wet, please power off firstly, and then wipe it with a dry and clean cloth to make sure it is dry and clean.

Discharge Starting

1. Set the vehicle at "ON" or "READY" gear and press the discharge socket (if any)

inside the vehicle;

2. Plug the electrical device into the discharge socket and wait for a few seconds.

The indicator will be on (red) and the socket will discharge normally.

Discharge Stopping

When you unplug the electrical device, the socket indicator will be off.

Power Battery

Power battery basic function description: one of the main power sources of S513 is power battery which can be repeatedly charged and discharged. The main ways to charge the power battery through external power supply are household single-phase AC charging and single-phase AC charging by charging pile. When the vehicle is braking, sliding or the motor is turned on, the power battery can also be charged through the motor.



Warnings

- To keep the power battery optimal, use a charging device regularly to fully charge the power battery (at least once a week recommended).
- When the vehicle is not in use for a long time, please be sure to charge to 100% first, and then discharge to 40-60%. If the vehicle is kept for more than three months, the battery must be charged, otherwise the battery may cause over-discharge, reducing the battery performance. The vehicle failure and damage resulted therefrom are not in the scope of warranty.
- Only professionals can open the power battery pack. If the power battery is faulted, please contact the authorized service store.
- Do not disassemble or dismantle the power battery without permission, otherwise the unit or yourself will bear the corresponding responsibility for environmental pollution or safety accidents caused thereby.
- The performance of power battery is the best at room temperature ($25\pm 2^{\circ}\text{C}$).

For new cars, the pure electric range of S513 fluctuates due to driving habits (such as frequent acceleration and deceleration), road conditions (such as long slopes), temperature (such as low temperature), and the case that whether electrical equipment (such as air conditioner) is turned on or off when the power battery is in normal condition.

When driving on a rainy day, you should try to avoid the power battery from wading through the water, because the splash is easy to infiltrate into the battery and connector and then causes short circuit. Due to the strong speed-up ability of electric vehicles, it is easy for their tires to slide in rainy days. Please turn on the lights reasonably, pay attention to the driving speed and slow down when wading through the road.

Do not drive into deep water to avoid electric leakage and short circuit. When the vehicle is immersed in water, do not continue driving but immediately power off and get out of the vehicle.

When driving on poor road conditions, the height of the vehicle to the ground should be taken into account to avoid the battery pack being squeezed.

When the vehicle is not in use, please try to park in an open space. Do not park in a low-lying area, under a tree or under high voltage.

Battery is a special chemical product, so it needs proper use and maintenance, and the daily full charge and discharge are very critical to its performance maintenance. At the same time, due to the chemical characteristics, the battery capacity has a natural attenuation. Therefore, for vehicles that have been used for some time, their pure electric range will be reduced. When you find that your car's pure electric mileage has been reduced, you are recommended to the designated authorized service store for inspection. If the authorized service store checks that the battery consistency is within the normal range, the reduction of the vehicle's pure electric range is caused by the normal attenuation of the battery capacity.

When the ambient temperature is lower than -30°C , the vehicle may not be able to start normally. It is recommended to put the vehicle in the environment above -30°C for a period of time before use.

After purchasing a vehicle, if it is transferred to another person, please go to the authorized service store to submit the owner's change information.

When the power battery meets the recycling standard, please send the vehicle to the authorized service store, and the authorized service store will enter the power battery recycling procedure after confirming that the battery meets the recycling standard.

Low-voltage Battery

Notes for Using Low-voltage Battery

In "ON" mode, do not turn on the electrical devices for a long time.

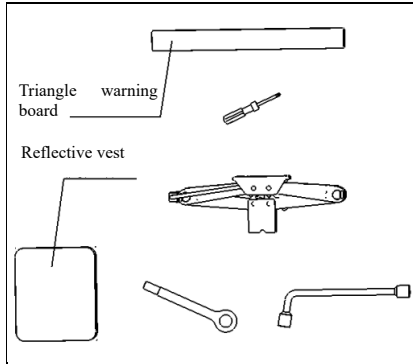
Intelligent charging mode is added in the design of the vehicle, that is, when the low voltage battery is detected, the low voltage battery can be charged by the power battery if the safety conditions are satisfied so as to ensure that the low voltage battery will not lose power for a period of time. However, when the capacity of the power battery is also very low, the intelligent charging function will be turned off. Please charge the power battery in time.

This vehicle has the function of low-voltage battery sleep and wake up. When the vehicle is stored for a long time, the low-voltage battery may have entered the sleep state, and the function of vehicle searching and unlocking cannot be realized by using the intelligent key. Now, you just need to move the intelligent key close to the left front door and press the micro switch of the left front door handle twice, to wake up the low-voltage battery and unlock the vehicle, and then you can use the vehicle normally. If the above operation fails to wake up the vehicle properly, the low voltage battery may be exhausted.

Due to different types, it is strictly prohibited to use the low-voltage battery to lap vehicles equipped with lead-acid battery, otherwise damage the vehicle or cause circuit failure.

Roadside Assistance

Tools



Place triangle warning board, reflective vest and tools bag into storage box.

Attention

Ensure to secure tools to avoid abnormal sound during driving or getting passengers injured in case of accident or brake.

Triangle Warning Board

Attention

Use the triangle warning board as per the provisions of laws and regulations.

Reflective Vest

The reflective vest is placed in the storage box, and it shall be placed in order after using.

Attention

Use the reflective vest as per the provisions of laws and regulations.

You can place the following tools in car

1. Wheel nut wrench
2. Combination screw driver
3. Jack
4. Towing hook
5. Triangle Warning Board
6. Reflective Vest

Attention

- Completely screw back thread of jack before placing into the tool box again. Get the crank closed against the side of jack.
- The jack provided by manufacturer is designed for the corresponding vehicle type. Don't use it to support the heavier objects or others.
- Don't start your car when it is jacked.
- If you are to work under the car, support the car body with proper supporting shoe.

Flat Tire

If your tire is flat, please follow the following instructions:

Parking

Warnings

- Ensure that you pull the electric

parking switch.

● Ensure that the shifting knob is adjusted to a proper gear (“P” gear, rather than “D” or “R” gear).

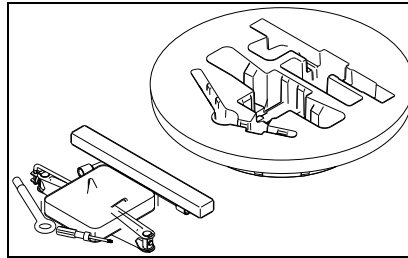
● When parking your car on slope, icy road or wet or slippery road, don't replace the tire. It is very dangerous to replace tire on such roads.

● If your car is close to other passing-by vehicles, don't replace tires. Please seek for assistance from professionals.

1. Leave from the roads safely.
2. Turn on the warning light.
3. Park your car on flat grounds.
4. Pull the electric parking switch.
5. Shift the shifting knob to “P” gear.
6. Turn off the motor.
7. Open motor cover.

8. Ask all passengers to leave from the car, stand at a safe place to keep away from passing-by vehicles.

Seek for assistance from professionals.



Tools and Tire Preparation

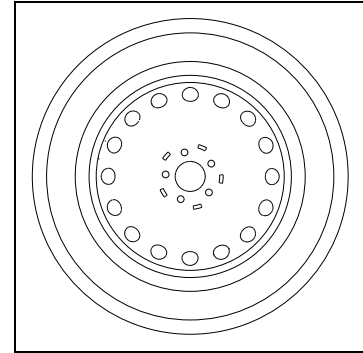
Take out jack, required tools and spare tire from the storage.

The jack and tools are under the cover plate of trunk.

Spare tire is in the trunk.

If you are to take down the spare tire, please follow the following procedures.

Spare Tire



Open the hatchback, remove the storage box's cover, and take down the tool box.

Turn the mounting bolt of spare tire rack counterclockwise until the bolt is removed, then remove the spare tire.

Tire Retaining

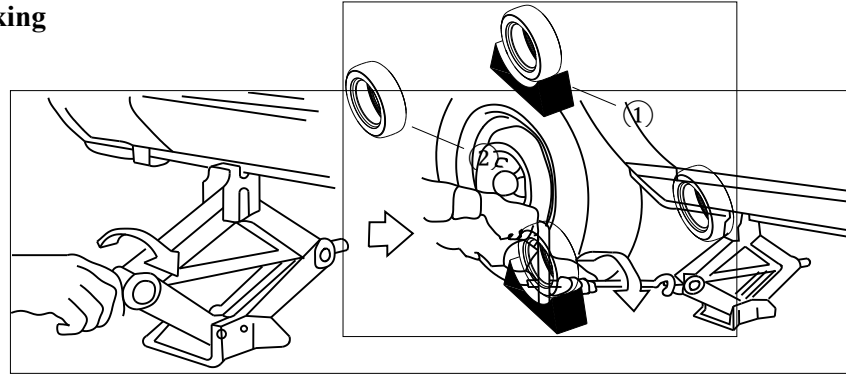
Warning

Ensure to retain the wheels properly to avoid moving and getting persons injured. As shown as follows, when tire ② is flat, install the wheel stop piece ① in the front and back of wheel diagonal to the flat tire to avoid vehicle moving when it is jacked.

Vehicle Jacking



Warnings



- Please read through and abide by the operation instructions herein.
- Don't lie under the car only supported with a jack: please use the vehicle support.
- Don't use the not original jack.
- The jack is designed only for lifting your car when you are to replace tire.
- Don't jack your car at the point

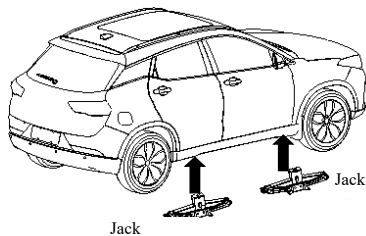
which is not a supporting point.

- Don't jack your car if not necessary.
- Don't use a cushion on or under the jack.
- Don't turn on the motor when the car is jacked. If not, the car will move and may result in accident.
- When the wheel leaves the ground, don't leave passengers in car.

- Read through the notes before using the jack.

1. Place the jack under the point as shown in figure, so as to enable jack's top to contact the vehicle. Place the jack on ground stably.
2. Align the jack's top to the supporting point as shown in figure.
3. Set the lewis of jack onto the edge of side beam to avoid side slipping in lifting.
4. Use the wheel nut wrench to anti-clockwise the nut to screw off the nut of each wheel.

Don't remove the wheel nut when lifting the tire from the ground.



5. When lifting the car, please grasp the crank with your hands and then turn the crank.
6. Carefully lift the car until that the tire fully leaves from ground.

Tire Removal

1. Remove the wheel nut wrench.
2. Remove the damaged tire.



Attention

The tire is heavy, so keep your feet away from it, and wear gloves if necessary to

avoid injury.

Spare Tire Installation



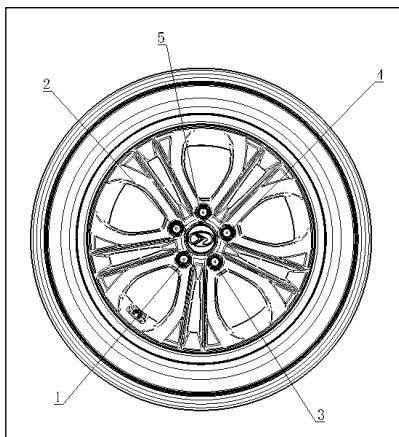
Warnings

- Don't use the not original wheel nut, because the improper wheel nut or screwing up nut may get the wheel flexible or leaving the car body, and accordingly result in accident.

- Don't coat oil or lubricating grease onto wheel bolt or nut, which may get nut flexible.

1. Remove the soil and dust from wheel surface.
2. Carefully install the spare tire, screw up nut with hands, and check if all nuts contact tire surface.
3. Use wheel nut wrench to alternatively and evenly screw up nut (①- ④- ②- ③-

⑤) for at least two times, until that the nuts are fully screwed up.



4. Slowly put the car down, until that the tire contacts the ground.

5. Use the torque wrench to screw up the wheel nut to the specified torque rapidly in the order as shown.

Tightening torque of steel wheel nut: (90~

120)N m

Tightening torque of aluminum wheel nut:
(100~130)N m

Keep the wheel nut at the specified tightening torque at any time. It is recommended to screw up the wheel nut to the specified tightening torque after each maintenance.

Warning

After driving over 1,000km, please screw up the wheel nut again (do so in case of flat flat).

Keeping Damaged Tires and Tools

Warnings

Keep the tire, jack and tools properly after using them, or they may be threw in case of

accident or sudden parking, and accordingly result in danger.

1. Properly keep the damaged tires, jack and used tools at the storage area. (See details in section “Tools and Tire Preparation”).

2. Close the hatchback.

If Your Motor is too Hot

Warnings

● If your car's motor is too hot, stop driving. If not, the car may catch fire.

● If any steam comes from it, don't open the front cabin cover.

● When the motor is too hot, don't remove the cover of water tank. If you remove the cover of water tank when the

motor is too hot, the high-pressure hot water may be sprayed, and may get you scalded or seriously injured.

● If any steam or coolant comes from the parts of cooling system, please keep away from vehicle to avoid injury.

● When the temperature of motor coolant exceeds the setting value, the cooling fan will be started.

● Keep your hands, hair, jewelry or clothes away from cooling fan.

If the motor is too hot (as indicated by the motor coolant thermometer) or you feel the insufficient power of motor or any abnormal sound, please take the following measures:

1. Leave the trunk road, and park your car on the safe road.
2. Turn on the warning light.

3. Shift the shifting knob to “N” (neutral position) gear, but don’t cut off power supply.

4. Pull the electric parking switch.

5. Open all windows.

6. Leave the driving cab.

7. Visually check and listen if there is any steam or coolant from water tank. Firstly confirm that there is no steam or coolant before taking the next actions.

8. Open the motor cabin cover.

9. Visually check the operating status of cooling fan.

10. Visually check if there is any leakage from radiator and radiator hose. If the fan does not work or the coolant is leaking, then turn off the vehicle power and contact

DFSK after-sales service for help.

11. If not the said case, after the motor is cool, check the coolant quantity in motor coolant tank when running the motor.

12. Add coolant into the water tank if necessary.

Please refer to the following notes when opening the coolant pressure cap.



To avoid getting scalded, cover the motor cover pressure cap before removing it, slowly release to class I, to release steam.

Please check / repair your car at DFSK franchise store.

Towing

When towing your car, please abide by the local laws and regulations. The improper

towing devices will damage your car. To ensure the proper towing, and avoid damaging your car, you are recommended by DFSK to ask the service operator to tow your car. Before preparing towing, the service operator is recommended to read through the following notes for towing.

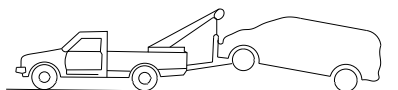
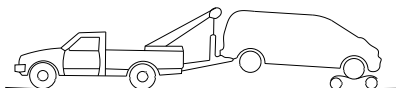
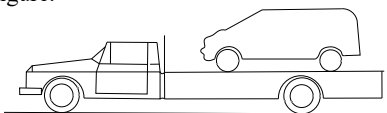
Notes for Towing

- When towing your car, please confirm that motor assembly, steering system and transmission system work normally. In case of any damage to sub-components, please use push trolley or flatbed trailer for towing your car.
- DFSK recommends to keep the driving wheel (front wheel) away from the ground before towing.
- Before towing, please fasten the

safety rope.

DFSK Instructions for Towing

DFSK recommends to use push trolley or flatbed trailer for towing as shown in figure.



Set the shifting knob at “N” position (neutral gear).

Release the electric parking brake.

Please fasten safety rope if towing car at any time.

Set motor start-stop button at “OFF”.

Warnings

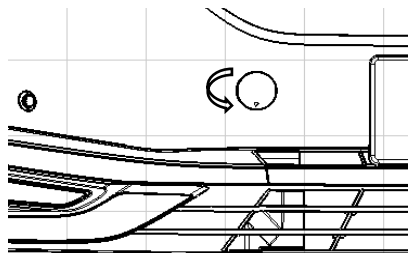
- The driving wheel (front wheel) of the vehicle to be towed must completely leave from the ground. If not, it may damage the power transmission system. For this, DFSK will not provide warranty regardless of that it is within the warranty period.
- Don't tow your car when its wheels are on the ground.
- If the power transmission system is damaged, completely keep the driving wheel away from ground.
- Don't tow your car when the environmental temperature is lower than 0°C

Vehicle Getting Out

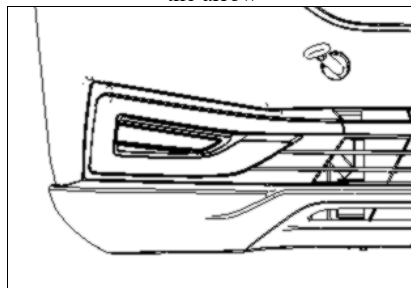
When the car cannot get out of the sand, snow or slough, use the tow hook.

The front trailer hook is placed in the trunk and should be installed in the designated position on the front right of the front bumper. The trailer hook blanking cap on bumper should be removed before installation.

Press on the sign “▽” on the lower end of the trailer hook blanking cap to open the trailer hook blanking cap. After the blanking cap is opened, there is a structure to prevent the hook from completely detaching. There is no need to completely detach the blanking cap from the trailer during towing process.



Remove the front hook cap after pressing the arrow



Front Tow Hook

Warnings

- Keep anybody away from the tow hook when towing car.
- Don't let the tire idle at a high speed. If not, it may cause tire explosion and even get persons seriously injured. The vehicle spare parts may also be overheated or damaged.
- The rope can only be hung onto the tow hook rather than other parts. If not, the vehicle may be damaged.
- You can only use the tow hook to get the vehicle out.
- When using the tow hook to get the vehicle out of such difficult situations, the tow hook may bear great force. Pull the cable out from the right ahead of vehicle. Don't pull it out from any side of vehicle.

Maintenance

Exterior Cleaning

It is important to take correct measures to keep your car's appearance.

Park your car in parking lot or the area with a shelter as far as possible to reduce the opportunity to damage your car surface.

If you have to park your car outside, please park it under a shelter or cover your car. Be careful of covering and removing the cover to avoid damaging car surface.

Car Washing

In case any one of the following circumstances, please wash your car as quickly as possible to protect your car surface:

- After raining, to prevent the acid rain from damaging your car;
- After driving along coast road, to

avoid corrosion by sea breeze;

- When the car surface is contaminated by smoke, bird droppings, metal particle or insects;

- When the car surface is contaminated by dust or mud;

1. Use the wet foam rubber and clean water to wash car surface.

2. Use the mixed solution of soft soap powder or special vehicle cleaning soap powder or general detergent and clean warm water (instead of hot water) to slightly and comprehensively wash car surface.



Warnings

- Don't use the high-effective household detergent, chemicals, gasoline or solution to wash car body.

- Don't wash car under the condition with direct sunshine or high temperature of

car body, or there will have water spots on surface.

- Don't use close-knit flannelette or coarse cloth, such as car washing gloves. Pay attention to removing the blocky dirt or others to avoid scrapping or damaging car surface.

3. Wash the car with a mount of clean water.

4. Wipe up the surface with wet leather and avoid leaving water spots.

When washing car, note the following:

- The flange and connector of car doors, and the inside and opening part of folding part are vulnerable to road salt. Therefore, such areas must be cleaned regularly.

- Confirm that the drain hole at the lower edge of car door cannot be blocked.

- Spray water to wash car underbody and wheel cover to remove the dirt and road salt.

Blotch Removing

Please remove the pitch, oil stain, industrial dust fall, dead insect or leaves to avoid permanent damage or spot. Such cleaning products are available at the service stations authorized by DFSK or any other vehicle stores.

Waxing

Regular waxing is helpful for surface protection and keeping new appearance.

After waxing, you are recommended to polish to remove residual wax so as to avoid weathering effect.

For the proper waxing products, you can get help from the service stations authorized by DFSK



Warnings

- Before waxing, please comprehensively wash the car.

- Please use vehicle wax as per the instructions given by the manufacturer.

- Don't use the vehicle wax with abrasive material, cutting lubricant or detergent formula which may damage car appearance.

The surface may be grinded when you use mechanical waxing machine on primer / transparent finish paint or you make excessive grinding, and left with circinate trace.

Glass

Use glass cleaner to remove the smoke dust or dust film on glass. When the car is under strong sunlight, there will have dust film on glass. It is easier for you to remove such film with glass cleaner and soft cloth.

Chassis

Some roads will be sprayed with salt in winter, so the chassis must be washed regularly. It will avoid dirt and salt

accumulation to prevent chassis and suspension system from corrosion.

Do check the sealing of chassis in winter and spring; and re-process if required.

Wheel

- When cleaning the vehicle, clean the wheel too.

- When replacing wheel or cleaning chassis, clean the inside of wheel.

- When cleaning the wheel, don't use abrasive cleaner.

- DFSK recommends to wax wheel in winter if you are to drive on road with salt.

Aluminum Alloy Wheel

If you are to drive on road with salt in winter, please regularly wash wheel with the wet foam rubber soaked with soft soap powder solution. If you fail to regularly wash wheel, the residual road salt may make the wheel fading.

Warnings

Please follow the following instructions to avoid wheel pollution and fading.

- Don't wash wheel with the detergent with strong acid or strong alkali.
- Don't wash wheel when it is of a higher temperature. The temperature of wheel shall be the same as surrounding temperature.
- Comprehensively wash the detergent on wheels after 15 minutes when the detergent is applied.

Chrome-plated Part

Please regularly wipe all chrome-plated parts with the non-corrosive chrome-plated polishing agent to keep them shining.

Interior Cleaning

Please regularly remove the accumulated dust on internal trim panel, plastic parts and

seats with dust collector or banister brush. Use clean soft cloth soaked with soft soap-suds to wipe plastic parts and leather surface, and then use dry cloth to wipe them. Regularly take care of and clean to keep a good appearance of leather.

Before using any fabric protectant, please read through the product description given by manufacturer. Some fabric protectants contain some chemicals which may pollute or whiten seat fabric. Only use wet soft cloth to clean the lens cover of integrated instrument.

Warnings

- Don't use any volatile oil, diluent or any equivalent.
- Small dust particles may abrade or damage leather surface, so they must be

regularly removed. Don't use leather washing soap, vehicle wax, polishing agent, oil, cleaning liquid or solution, detergent or the detergent with ammonium hydroxide, because they may damage such natural leather surface.

- Unless otherwise recommended by manufacturer, don't use the fabric protectant.
- Don't use the glass or plastic detergent to clean the lens cover of integrated instrument. If not, it will damage the lens cover.

Glass

Use glass cleaner to remove the smoke dust or dust film on glass. When the car is under strong sunlight, there will have dust film on glass. It is easier for you to remove such film with glass cleaner and soft cloth.



Warning

When cleaning inside of window, don't use sharp tools, grinding detergent or the detergent with chlorine. Such may damage electrical conductivity, such as the electric defroster of rear windows.

Seat Belt



Warnings

- Don't allow the wet seat belt to go back to the retractor.
 - Don't wash seat belt with decolorizer, dye or chemical solution which may weaken the strength of seat belt.
- Wipe the seat belt with foam rubber soaked with soft soap-suds.
- Before using seat belt, fully dry it at under a shelter (see details in Chapter II "Seat Belt").

Protection against Corrosion

Primary Causes for Vehicle Corrosion

- The wet dirt and debris accumulate on section, empty cavity or other places.
- The gravel, broken stone or minor traffic accident damages surface and other protective layers.

Environmental Factors Affecting Corrosion Rate

Wet

The sand, dust and ponding water accumulated on floor will accelerate the rust of car body. The wet carpet / pedal cushion cannot be dry fully, so they must be dry outside to avoid floor rust.

Relative Humidity

There is a serious corrosion in the district with a higher humidity.

Temperature

The increasing temperature will speed up the corrosion rate of parts at the location with improper ventilation.

The corrosion rate will be faster too in the district with a constant temperature over 0°C.

Air Pollution


The industrial pollution, air salt of coastal areas, and road salt will also speed up the corrosion rate. The road salt will speed up surface ageing.

Protection Vehicle from Corrosion

- Regularly washing and waxing the car to keep it clean.
- Regularly check if the surface is damaged slightly; if any, repair it as quickly as possible.

- Keep the drain hole under the car door smooth to avoid water accumulation.

- Check if there is sand, dust or salt accumulated on underbody. If there is any sand, dust or salt, wash with water as soon as possible.

 Warnings

- Don't wash with pipe to remove the dirt, sand or others in driver cabin. Remove them with dust collector.

- Keep the electric components in car away from water or other liquid, or they may be damaged.

The chemicals for removing road snow is strongly corrosive. They may accelerate the corrosion and aging of under-body components (such as brake pipeline, floor and wheel fender).

The underbody must be cleaned regularly in winter.

As for the additional rust-proof measures required by some areas, please consult the service stations authorized by DFSK

Notes for Maintenance

When your car is under any inspection or maintenance, be carefully to avoid any serious injury or vehicle damage. The following are the general notes which should be abided by.

Warnings

- Park your car on flat ground to ensure to stop wheel with parking brake so as to avoid vehicle movement.
- When replacing or repairing any parts, ensure to set motor start-stop switch at “OFF”.
- When the motor is too hot, don't take any actions under it. Turn off the motor and wait for it cooling.

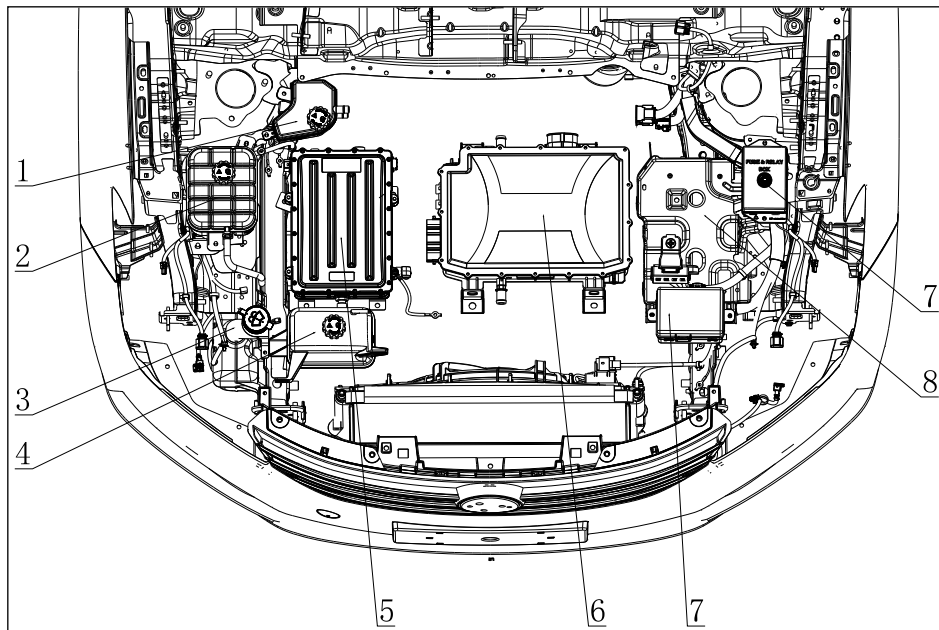
You are recommended to fasten or take off your loose clothes and finger ring o

-
-
- r swatch and others before inspecting your car.
 - Where the car is only supported by a jack, don't get into underbody. If you have to work under the car body, support your car with a scaffold.
 - Ensure to keep fuming objects, flame and spark away from battery.
 - Don't connect or disconnect the battery when setting the start switch at "ON".
 - To avoid damage, firstly disconnect the negative terminal of battery when working close to the fan.
 - When the start switch is set at "ON", don't disconnect the motor or the harness connector related to high-voltage cable.
 - When you conduct maintenance on car, please wear goggles to avoid directly contacting the used coolant.

● The improper use of oil may pollute environment. Please abide by “Maintenance and What You Can Do” only

provides the items which are easy to be done by car owner.

You must know that incomplete or improper maintenance and repairing may result in damage to vehicle and may impact your warranty rights and interests. If you are unfamiliar with a maintenance item, please go to the service stations authorized by DFSK



Inspection of position in motor cabin

1. PTC circulating tank assembly
2. Battery compensation tank assembly
3. Water tank and motor of washer
4. Water tank assembly and accessories
5. On-board charger assembly
6. Motor controller assembly
7. Front cabin harness assembly
8. Battery

Battery Pack Temperature Adjusting System

● The battery pack temperature control system heats the power battery when the temperature is too low, and cools the battery when the temperature is too high, so as to keep the working temperature of the power battery pack in a normal state in real time. When the vehicle starts, runs or charges, the intelligent system detects the working temperature of the power battery pack in real time, and automatically controls the opening and closing of the battery temperature adjustment without manual operation.



Warnings

● In extremely cold weather, when the battery pack temperature adjusting system is heating, don't move the cover of motor

coolant tank, because antifreeze from such motor coolant tank may scald you seriously.

● The antifreeze must be placed in the container with a mark and inaccessible to children.

Battery thermal management system is filled with the original, high-quality, year-round available environment-friendly battery antifreeze without any additives, please rest assured to use.



Caution

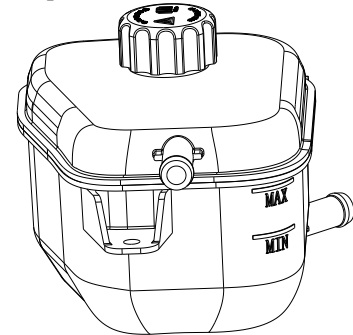
The use of other kinds of antifreeze will damage the battery heating management system.

As for the vehicle type: the antifreeze tank is installed with a pressure cap. To avoid damaging the battery pack, please use the true tank of DFSK or replace it with the equivalent product as necessary.

Since the power battery is a high-voltage

component, if the battery pack temperature control system is abnormal or cannot work, please do not repair it by yourself, but timely go to the service centers authorized by DFSK for repair.

Inspection of Batter Antifreeze Quantity



Check the level of antifreeze in tank. If the liquid level of antifreeze is lower than the minimum scale line "MIN", it is necessary to add antifreeze.

Replacement of Antifreeze

In order to avoid the poor heating or cooling of the battery temperature control system,


the battery antifreeze is vacuumed when filled in the original plant. When it needs to supplement or replace antifreeze, it is recommended to refill at the service center authorized by DFSK. Please use the special battery antifreeze for DFSK.

 **Warnings**

- Don't move the cover of antifreeze tank during vehicle driving or charging, because antifreeze from such tank may scald you seriously.
- Keep your skin away from antifreeze. If not, wash the coolant away with a lot of fresh water.
- Place the antifreeze at the place inaccessible to children. Properly process the antifreeze. Refer to the local laws and regulations.

- Please use the antifreeze designated by DFSK in the alpine area (with the temperature below 0°C around the year).

Motor Cooling System

 **Warnings**

- When the motor is so hot, don't move the cover of motor coolant tank, because the coolant from such motor coolant tank may scald you seriously. You have to work when the motor and radiator are cool down.
- The motor coolant is toxic, so it must be placed in the container with a mark and inaccessible to children.

The motor cooling system is filled with the motor coolant which is original, high-quality, available and effective throughout the year. The coolant contains erosion-resisting and anti-freezing additive.

Therefore, don't add any additives to it.

 **Caution**

When supplementing or replacing coolant, use the DFSK motor coolant or the products of equivalent mixing ratio as far as possible.

The mixing ratio is as follows:

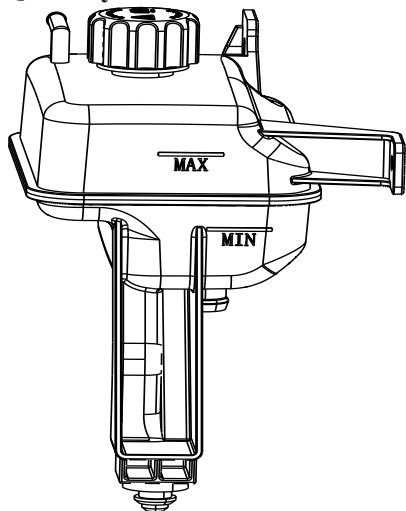
External temperature reducing to		Motor Coolant	Inorganic water or distilled water
°C	°C		
-15	5	30%	70%
-35	-30	50%	50%

The use of other kinds of coolant will damage the motor cooling system.

As for the vehicle type: its cooling system is installed with a pressure cap. To avoid

damaging the motor, please use the true tank of DFSK or replace it with the equivalent product as necessary.

Inspection of Motor Coolant Quantity



When motor is under cool status, check the

level of coolant in tank. If the coolant level is lower than “MIN”, please add coolant to the level between “MAX” and “MIN”.

If it is necessary to regularly supplement coolant, please ask for inspection from the service stations authorized by DFSK.

Replacement of Motor Coolant

The cooling system must be repaired by the service stations authorized by DFSK.

The wrong repairing and replacement of motor coolant will result in decrease in cooling efficiency and motor overheating.

Warnings

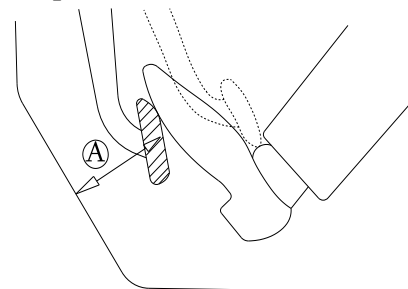
- To avoid being scalded, don't replace coolant when the motor is of high temperature.
- When the motor is so hot, don't move the cover of motor coolant tank, because the


coolant from such motor coolant tank may scald you seriously.

- Keep your skin away from motor coolant. If not, wash the coolant away with a lot of fresh water.
- Place the motor coolant at the place inaccessible to children.

Properly process the motor coolant. Refer to the local laws and regulations.

Brake Inspection of Brake Pedal



 Warning

If the brake pedal is too high to back to the normal position, please consult the service stations authorized by DFSK and ask for inspecting brake system.

When the vehicle is powered on, please check the distance from the lowest point and floorA.

A: more than 35mm when the pressure of pedal surface is of 500N.

The stroke of brake pedal shall conform to the range shown in the table below.

Parameter of brake pedal stroke			
Operating condition	Idle stoke (mm)	Operating stoke (mm)	Stroke limit (mm)
Normal operating status	5~8.3	57.9~62.9	120
Invalid	52.2~	82.5~89.8	120

operating status	59.5		
------------------	------	--	--

If such distance is outside the following range, please consult the DFSK franchise store.

Self-adjustable Brake

Your car is equipped with a self-adjustable brake. The brake will adjust automatically when the brake pedal is stepped down.

Vacuum Booster

Check the function of vacuum booster as per the following steps:

1. Turn off the vehicle, step down brake pedal for several times to ensure the stroke of brake pedal will be remained.
2. Step down the brake pedal and start the vehicle. The height of pedal shall be lower slightly.
3. Step on the brake pedal, and turn off

the vehicle power supply. Step down pedal for about 30s, and keep the pedal height remained.

4. Turn on the power supply of the vehicle, operate the brake vacuum pump for three minutes, do not step on the brake pedal, then turn off the power supply of the vehicle, and step on the brake pedal for several times. When the brake pedal is stepped down, the pedal stroke will decrease as the vacuum degree of vacuum booster decreases.

If the brake system is out of normal operating status, please consult the DFSK franchise store.

Brake Liquid



Warnings

- Brake liquid's replacement period shall be 3 years or 60,000km mileage (whichever is earlier). Please replace it at

the service stations authorized by DFSK

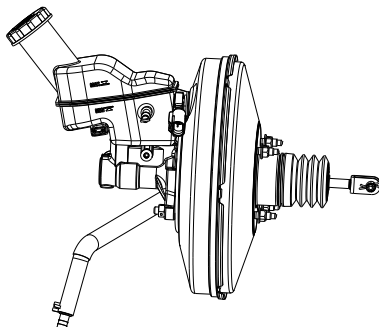
- Only use the new brake liquid taken out from the sealed container. The used, poor or polluted brake liquid may damage the brake and clutch systems. The wrong brake liquid will damage brake system and impact the brake capacity of car.

- The brake liquid is toxic, so it must be placed at the place inaccessible to children.



Caution

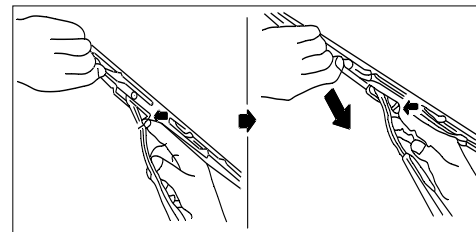
The brake liquid will damage paint, so don't splash it onto paint. If the brake liquid is splashed onto paint, wash it away with fresh water at once.



Check the oil capacity in oil tank. If the level is lower “MIN”, the warning light of brake liquid will be on, please add brake liquid to the “MAX” level. (Please refer to chapter “Recommended Lubricating Oil and Capacity”.)

If it is necessary to frequently add brake liquid, please ask DFSKfranchise store for fully checking the system.

Wiper Rubber Windscreen Wiper Rubber Cleaning



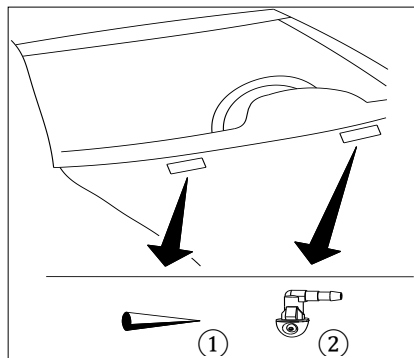
If the windscreen is not clean when it is washed with windscreen washer liquid or there is an abnormal sound when the wiper rubber is used, maybe this is for the reason that there is wax or others on wiper or windscreen.

Clean the outside of windscreen with wiper cleaner or neutral detergent. If there is no water drop when washing it with water, it means that the windscreen is clean.

When washing the wiper rubber, wipe it with the cloth soaked with wiper cleaner or neutral detergent firstly, and then wash it with fresh water. If the front windscreen is still unclear after it is brushed with the cleaned wiper rubber, it has to replace the wiper rubber.

Don't block the nozzle ① of water jet, which may impact the normal operation of

windscreen water jet. If the nozzle is blocked, get it through with needle or small nail ②, and avoid damaging the nozzle.



Replacement

1. Raise the wiper arm on windscreen.
2. Press down the locking pin, and take

down the wiper rubber.

3. Take down the wiper rubber.
4. Properly insert the new wiper rubber onto the wiper arm.

Caution

After replacing the wiper rubber, restore the wiper arm to the original position, or the wiper arm or motor cover may be damaged. The abraded windscreen wiper rubber may damage the windscreen and even impact the driving vision.

Method for inspecting the rear windscreen wiper rubber:

Similar to the front windscreen wiper.

Windscreen Washer Liquid

Warning

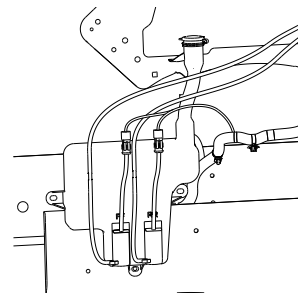
The washer antifreeze is toxic, so it must be

placed at the place inaccessible to children.

Regularly check the washer fluid capacity in washer. Add washer fluid if necessary.

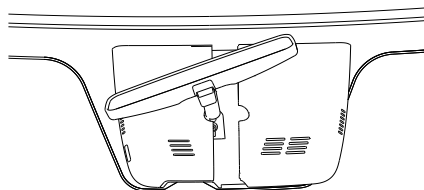
The additives of washer fluid can improve cleaning effect. In winter, please add washer antifreeze. Please adjust it as per the mixing ratio instructed by manufacturer.

If the motor is working without cleaner, it may be damaged. Don't use the antifreeze as substitute, or will damage paint.



Electronic Plate Installation Instructions

Take down the front windscreen mirror seat trimming II, paste the electronic plate onto the windscreen, and finally install the front windscreen mirror seat trimming II. In the absence of this configuration, install it in the black edge of the glass as required by the relevant units.



Battery of Remote Control

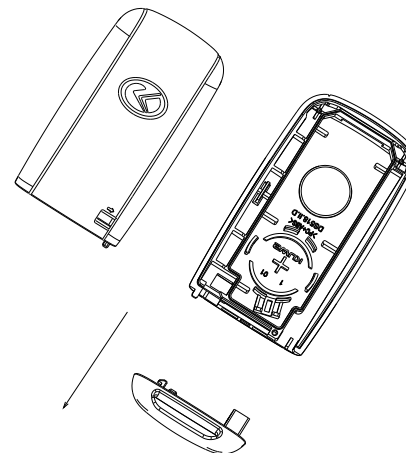
Replacement of Battery



Warnings

- Keep children away from swallowing battery or spare parts dismantled.

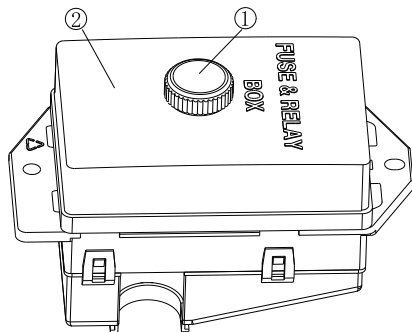
- The improper treatment of battery may pollute environment, so please abide by the local laws and regulations about battery treatment.
- When replacing battery, keep dirt or oil contamination away from battery.
- It is dangerous to improperly replace lithium battery. Please replace it with the same or equivalent type.
- Don't touch the internal circuit and electric connector, or will result in fault.
- Ensure that the positive terminal (+) is connected to the bottom end.



1. Find the button on the back of key, push the button in the arrow direction, and take out the mechanical key in the direction as shown in figure;
2. Carefully prize up and move the upper and lower cover of key with a flat blade; and
3. Replace the recommended new battery.

If you need help, please ask for after-sales service from DFSK

Fuse Box



Caution

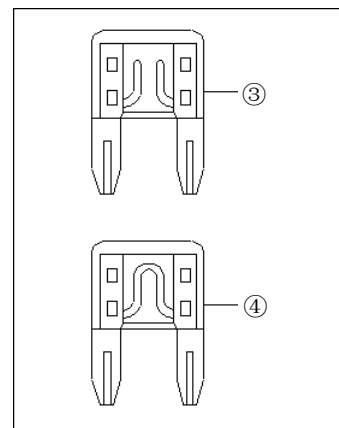
Don't use the fuse of the ampere higher or lower than that specified on the fuse box cover. Such may damage electric system or cause fire.

If any electric appliances are out of service,

please check if the fuse is broken.

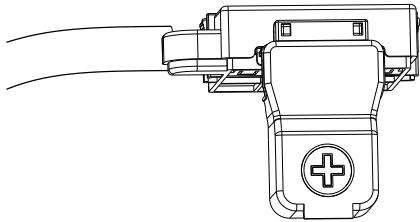
If any electric appliances are out of normal service, please check if the fuse is broken.

1. Ensure that you turn off the power of the vehicle.
2. Open the motor cabin cover.
3. Rotate the opening knob ①, and raise the fuse box cover ②.
4. Find out the fuse to be replaced.
5. Use the puller in the fuse box to take out the fuse.
6. If the fuse is broken ③, replace it with a new one ④.



If the fuse installed is broken again, please ask for inspecting and repairing the electric system from the service stations authorized by DFSK

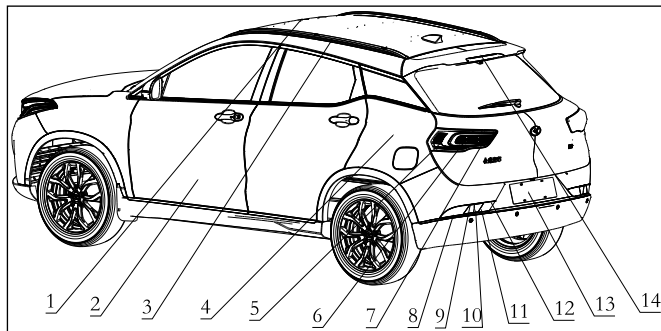
Fuse Box of Battery Terminal Positive



If the electric appliance cannot operate normally when the fuse is under good status, please check fuse box 1; in case of any broken fuse, please replace it with the one of the same model.

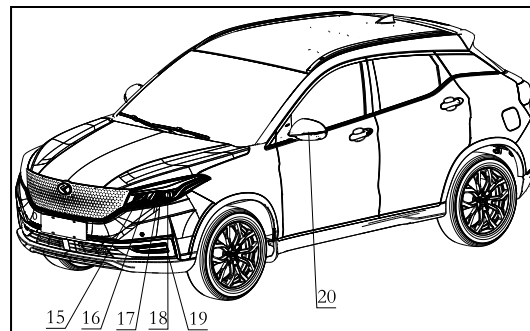
Check and replace the fuse at the repair station authorized by DFSK

Lights



1. Front reading light assembly
2. Door light assembly
3. Rear interior light assembly
4. Trunk light assembly
5. Hatchback rear brake light
6. Hatchback rear steering light
7. Hatchback rear position light

8. Rear fog light of rear bumper
9. Rear bumper's rear steering light
10. Rear reversing light of rear bumper
11. Rear bumper's rear position light
12. Reflex reflector
13. License plate light assembly
14. High brake light assembly



15. Integrated headlight
16. Integrated front position light
17. Integrated front steering light
18. Integrated low beam headlight
19. Daytime driving light assembly
20. Steering light



Caution

Don't replace the bulb without permission. If you do not meet the repairing regulations, it may result in poor contact, short-circuit light holder, light leakage and others. If you are to replace the bulb, please ask for after-sales service from DFSK



Note

In general, in rainy day, in case of washing car or other wet environment, the water in air will condensate on the internal surface of light, and form fog. Such case may repeat, and it is normal physical phenomenon that the fog will disappear as the time flies. If the fog cannot disappear, please ask for after-sales service from DFSK

Integrated headlight

Headlight includes:

1. Position light
2. Low beam headlight
3. High beam headlight (it will be on when the low beam headlight is on)
4. Steering light

Please refer to the instructions of integrated switch of light for the methods of turning on or off position light, low beam headlight, high beam headlight and steering light.

Side Turn Signal Light

Please refer to the instructions of integrated switch of light for the methods of turning on or off side turn signal light.

Front Reading Light and Rear Interior Light

Please refer to the instructions for indoor lighting for the method of turning on or off front reading light and rear interior light.

Daytime Driving Light

Daytime driving light is automatically on

Hatchback Rear Integrated Light

1. Brake light
2. Rear position light
3. Steering light

Rear integrated light includes:

1. Rear position light
2. Steering light
3. Rear fog light
4. Reversing light

Please refer to the instructions of integrated switch of light for the methods of turning on or off position light and steering light.

When stepping down the brake pedal, the brake light will be on; on contrary, it will be off.

When the shifting knob is set at reverse gear, the reversing light will be on; on the contrary, it will be off.

License Plate Light

Please refer to the instructions of integrated switch of light for the methods of turning on

or off license plate light.



Note

When the hatchback is open, the rear fog light will have steering light, position light and brake light functions.

High Brake Light

When stepping down the brake pedal, the high brake light will be on; on contrary, it will be off.

Trunk Light

Please refer to the instructions for indoor lighting for the method of turning on or off trunk light.

Exterior Light

Item	Watt (W)
Integrated headlight	2×55 (bulb)

	2×12.15 (LED)
Integrated low beam headlight	2×55 (bulb) 2×12.15 (LED)
Integrated front steering light	2×21 (bulb) 2×4.05 (LED)
Integrated front position light	2×5 (bulb) 2×2.43 (LED)
Daytime Driving Light	6.85 (LED)
Hatchback position light	2×2.11 (LED)
Hatchback brake light	2×3.4 (LED)
Hatchback steering light	2×2.11 (LED)
Rear bumper steering light	2×21 (bulb)
Rear bumper position light	2×5 (bulb)
Rear fog light of rear bumper	2×21 (bulb)
Reversing light of rear bumper	2×16 (bulb)
High Brake Light	3.6 (LED)

License Plate Light	2×5
---------------------	-----

Interior Light

Item	Watt (W)
Rear interior light	2×5 (bulb)
Door Light	2×5
Trunk Light	0.1 (LED)
Front Reading Light	0.9 (LED) 0.05 (LED)

Warning

- If the lights are accessible to water leakage, please seek for overhauling from the DFSK after-sales service center to avoid affecting your use.
- Don't replace bulbs without permission. No non-professional can replace them. If you do not meet the repairing regulations, it may result in poor contact, short-circuit light holder, headlight leakage and others.
- It is inevitable for light lens surface to be affixed with pollutants which may result in high temperature in lights after they are on for a long time, cause potential deformation of lens, and even affect the light-admitting quality. To prolong the service life of lights and ensure your safety, please regularly wash the headlight lens.

Tire and Wheel

If the tire is flat, refer to "Flat Tire" in "7. Emergency Measures".

Tire Inflation Pressure

Please regularly check the tire pressure, including the spare tire's pressure. The improper tire pressure may affect the tire life and vehicle driving. Check the tire pressure when the tire is cool. When the car is parked for 3h or longer, or it runs less than 1.6km, the tire shall be deemed as cool. The cool tire pressure is shown on tire pressure label.

If the tire is insufficient of pressure, it may result in tire overheating and internal damage. When the car runs at a high speed, it may result in tread separation and even tire burst.

Tire Type



Caution

When replacing with the new tire, confirm that all tires are of the same type (that is: summer tire, all-weather tire or snow tire) and structure. The service stations authorized by DFSK can provide you with the information about tire type, tire size, speed grade and supply.

The rated speed and load index of the new tire shall not be lower than that of the original tire.

Summer Tire

DFSK summer tire provides the excellent performance under general weather conditions. The performance of summer tire is obviously poor when it is used on snowy or icy roads. Its side wall is not labeled with "M+S*". If you are to drive

on snowy or icy roads, DFSK recommends you to four snow tires.

Snow Tire

If it is necessary to use snow tire, please choose tire with size and load grade equivalent to the original tire and snow tire. If not, it may affect your car safety and performance.

In general, the speed range of snow tire is lower than that of original tire, and cannot match with the potential maximum speed of the car. Don't exceed the maximum speed range of tire.

If the traction of icy roads are increased, use rubber studded tire. However, it is prohibited in some countries or districts. Please confirm the local laws and regulations before installing the rubber studded tire. The anti-skid and tracking

performances of rubber studded tire on wet or dry roads may be poor than that of tire without rubber studded tire.

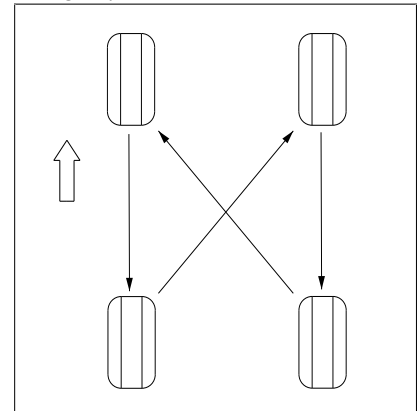
Tire Chain

Some districts may prohibit from using tire chain. Therefore, please confirm the local laws and regulations before installing tire chain. When installing the tire chain, confirm if the tire chain size is suitable for your tire, and abide by the recommendations from the manufacturer of tire chain. If the manufacturer of tire chain gives any advices, use the chain tensioner to keep the installing tightness. The connector of tire chain's flexible end must be fixed or removed to avoid damaging wheel fender or chassis. Moreover, please drive at a low speed, or will damage your car or affect your car's operation and performance.

Install the tire chain onto the driving wheel. Don't install tire chain onto the car running on the snow-free or good roads. This is because some stress will damage vehicle mechanisms.

Wheel Exchange

DFSK recommends to exchange tires each 10,000km. As for tire replacement procedure, refer to "Flat Tire" in "7. Emergency Measures".

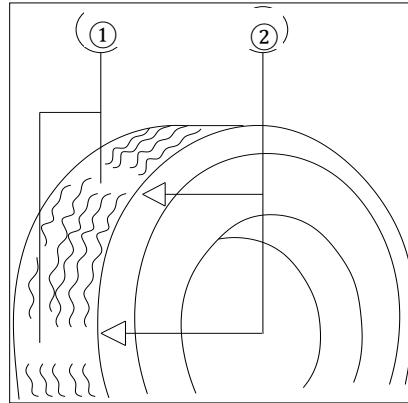


Warnings

- After tire exchange, please adjust tire pressure.
- After tire exchange, adjust tire pressure and screw up wheel nut again after driving over 1,000km (conduct such operation when the tire is flat).
- The improper choice, installation or maintenance of tire will result in accident and personal injury. If case of any questions, please consult the service stations authorized by DFSK or tire manufacturer.

Tire Wear and Damage

Regularly check if the tires are worn, cracked, swollen or with foreign matters on surface. If the tires are excessively worn, cracked, swollen or cut, replace them.



① Wear mark

② Mark of wear mark position

The original tires are with wear mark ① on its surface. If the wear mark is visible, replace tires. The position of wear mark shall be indicated by mark ②.

The improper use of spare tire will result in serious damage; if it is necessary to repair spare tire, please consult DFSK franchise

store.

Tire Life

The tire which has been used over 5 years shall not be used regardless of its status. Tires will be aging as the times goes and it is used. Please regularly go to the service stations authorized by DFSK for inspecting tires and conducting dynamic balance, and tell the tire status to the service stations.

Replacement of Tire and Wheel

Warning

Don't install the deformed tire and wheel which has been repaired. Maybe, such tires or wheels have been damaged, or get warning-free faulted or invalid.

When replacing tires, please use the tires which are of the size, speed grade and load capacity same to the original ones. (Please

refer to technical information in **Chapter “Tire and Wheel”**.) The use of tires which are not the recommended ones or those of different brands, structures (diagonal tires, bias belted tire, radial-ply tire or others) or tread-type tires will affect driving, braking, operating, ground clearance, clearance between vehicle body and tire, clearance of tire chain, speedometer calibration, headlight beam angle, bumper height and others. Such may result in accident and even serious personal injury.

The tires for replacement must be of the

Regular Maintenance

Whether the additional maintenance is required or maintenance interval is shorten is subject to weather and air conditions, road status, personal driving habit and vehicle purpose. Regularly do similar maintenance after the final regular maintenance in the completion table.

See detailed maintenance plan in *Maintenance Manual for S513* (On-board).

same offset distance regardless of the replacement for any reasons. The tires of different offset distances will be early worn. Reduce vehicle operating performance or intervene with brake. The intervention with brake will reduce braking efficiency or early wear friction plate.

Wheel Dynamic Balance

The unbalanced wheels will affect the vehicle operation and tire life. Even they are used normally, the tires will be unbalanced too, therefore the wheels must be conducted the dynamic balances test

regularly. When conducting dynamic balance test, remove the wheels from vehicle. If the front wheels are not removed from vehicle when you conduct the dynamic balance test, it will damage automotive transmission system.

Spare Tire

Conventional Spare Tire

Your car is equipped with a standard tire or a T-shaped spare tire. The maximum speed of T-shaped spare tire shall not be more than 80km/h.

Maintenance interval Maintenance items	Time and mileage (whichever comes first)																
	Time (months)	6	12	18	24	30	36	42	48	54	60	66	72	78	84	90	96
	Mileage (x1000km)	2	10	20	30	40	50	60	70	80	90	100	110	120	130	140	150
Chassis and vehicle body																	
Park brake function and travel	I	I	I	I	I	I	I	I	I	I	I	I	I	I	I	I	I
Steering wheel and steering drive	/	I	I	I	I	I	I	I	I	I	I	I	I	I	I	I	I
Status and function of seatbelts, buckles and supports	I	/	I	/	I	/	I	/	I	/	I	/	I	/	I	/	I
Door lock, hinge, stopper (lubricate if necessary)	/	I	I	I	I	I	I	I	I	I	I	I	I	I	I	I	I
Check the free travel of the brake pedal	/	I	I	I	I	I	I	I	I	I	I	I	I	I	I	I	I
Brake fluid	I	I	I	I	I	I	I	R	I	I	I	I	I	R	I	I	I
Brake pipeline (including vacuum booster)	I	I	I	I	I	I	I	I	I	I	I	I	I	I	I	I	I
Tighten the bolts and nuts of chassis and body	I	I	I	I	I	I	I	I	I	I	I	I	I	I	I	I	I
Front and rear shock absorbers	I	I	I	I	I	I	I	I	I	I	I	I	I	I	I	I	I
Wheel alignment	Check when abnormal conditions occur																
Tire condition and pressure	I	I	I	I	I	I	I	I	I	I	I	I	I	I	I	I	I
Electric power steering	I	I	I	I	I	I	I	I	I	I	I	I	I	I	I	I	I
Transmission shaft sheath	/	I	I	I	I	I	I	I	I	I	I	I	I	I	I	I	I
Reducer lubricating oil 75W/90(GL-4)	R	I	R	I	R	I	R	I	R	I	R	I	R	I	R	I	R
Front wheel brake disc and related working components	I	I	I	I	I	I	I	I	I	I	I	I	I	I	I	I	I
Rear wheel brake disc and related working components	I	I	I	I	I	I	I	I	I	I	I	I	I	I	I	I	I
Wheel nut	I	I	I	I	I	I	I	I	I	I	I	I	I	I	I	I	I

Maintenance interval Maintenance items	Time and mileage (whichever comes first)																
	Time (months)	6	12	18	24	30	36	42	48	54	60	66	72	78	84	90	96
	Mileage (×1000km)	2	10	20	30	40	50	60	70	80	90	100	110	120	130	140	150
Air conditioning and electronics																	
air conditioning system	I	/	I	/	/	I	/	/	I	/	/	I	/	/	I	/	
Lighting and signaling devices	I	I	I	I	I	I	I	I	I	I	I	I	I	I	I	I	
Windshield washer system (including wiper and reservoir)	I	I	I	I	I	I	I	I	I	I	I	I	I	I	I	I	
Battery	I	I	I	I	I	I	I	I	I	I	I	I	I	I	I	I	
Air conditioning filter	I	I	R	I	R	I	R	I	R	I	R	I	R	I	R	I	
skylight	Check every 5000km (at the same time, check whether the sunroof is stuck and add lubricating oil or grease)																
Battery system																	
Battery pack assembly	I	I	I	I	I	I	I	I	I	I	I	I	I	I	I	I	
Battery capacity	I	I	I	I	I	I	I	I	I	I	I	I	I	I	I	I	
Battery pack power line and battery pack mounting bracket	I	I	I	I	I	I	I	I	I	I	I	I	I	I	I	I	
Battery surface cleaning	I	I	I	I	I	I	I	I	I	I	I	I	I	I	I	I	
Transformation system																	
Slow charging socket <u>assy</u>	I	I	I	I	I	I	I	I	I	I	I	I	I	I	I	I	
Slow charging plug <u>assy</u>	I	I	I	I	I	I	I	I	I	I	I	I	I	I	I	I	
Fast charging socket <u>assy</u>	I	I	I	I	I	I	I	I	I	I	I	I	I	I	I	I	
Car charger assembly and connector	I	I	I	I	I	I	I	I	I	I	I	I	I	I	I	I	

Maintenance interval Maintenance items	Time and mileage (whichever comes first)																
	Time (months)	6	12	18	24	30	36	42	48	54	60	66	72	78	84	90	96
	Mileage (x1000km)	2	10	20	30	40	50	60	70	80	90	100	110	120	130	140	150
High voltage harness system																	
Air conditioning PTC high voltage harness <u>assy</u>	I	I	I	I	I	I	I	I	I	I	I	I	I	I	I	I	I
Motor three-phase wire assembly	I	I	I	I	I	I	I	I	I	I	I	I	I	I	I	I	I
Charger high voltage harness <u>assy</u>	I	I	I	I	I	I	I	I	I	I	I	I	I	I	I	I	I
Battery pack high voltage harness <u>assy</u>	I	I	I	I	I	I	I	I	I	I	I	I	I	I	I	I	I
Drive motor and control system																	
Motor surface cleaning and connector	I	I	I	I	I	I	I	I	I	I	I	I	I	I	I	I	I
Power <u>assy</u> mounting bracket and bolt	I	I	I	I	I	I	I	I	I	I	I	I	I	I	I	I	I
Motor controller surface cleaning and connector	I	I	I	I	I	I	I	I	I	I	I	I	I	I	I	I	I
Motor controller and mounting bracket bolt	I	I	I	I	I	I	I	I	I	I	I	I	I	I	I	I	I
Motor and reducer butt bolt	I	I	I	I	I	I	I	I	I	I	I	I	I	I	I	I	I
Reducer surface cleaning and connector	I	I	I	I	I	I	I	I	I	I	I	I	I	I	I	I	I
P gear actuator of reducer	I	I	I	I	I	I	I	I	I	I	I	I	I	I	I	I	I
Water inlet and outlet pipes of motor and controller	I	I	I	I	I	I	I	I	I	I	I	I	I	I	I	I	I
Power harness between motor and controller	I	I	I	I	I	I	I	I	I	I	I	I	I	I	I	I	I
Motor antifreeze	I	I	I	I	I	I	I	R	I	I	I	I	I	R	I	I	I

Recommended Lubricating Oil and Capacity

The following table shows the theoretical capacity which may be slightly different from the actual one. So, refer to the refueling standard as mentioned in this chapter.

Item	Specification	Refueling capacity
	TZ230XSIN107	—
Gearbox gear oil	75W-90-GL-4	(2.2±0.1)L
Motor coolant	FD-20 (general) FD-40 (extremely cold areas)	(2.0±0.2)L
Windscreen washer liquid	- #20 (general) - #35 (alpine area in winter)	(2.0±0.2)L
Brake fluid	HZY4 GB12981-2012	(0.65±0.03) L
A/C refrigerating fluid	R134a	Amount to be refilled for single evaporator A/C is: (520±20) g/vehicle

PTC injection liquid	FD-20 (general) FD-40 (extremely cold areas)	2.56 L
Battery cooling refill	FD-20 (general) FD-40 (extremely cold areas)	6.07 L

1. You are recommended to use the DFSK original motor coolant to avoid corroding the aluminum metal in the motor cooling system.
Note: If the transmission is damaged due to the use of not original motor coolant, it is not guaranteed, even if it is faulted within the warranty period.
2. Don't mix up with other brake liquid (HZY4).

Recommended A/C Refrigerating Fluid and Lubricant

DFSKA/C system must be filled with R134a refrigerating fluid and DFSK lubricant or equivalent. Any other refrigerating fluid or lubricant may cause serious damage and even the case the whole A/C system should be replaced.

Many countries and districts prohibit from emitting refrigerating fluid to atmospheric layer and yours atmospheric layer is R134a. DFSK recommends to recycle and reuse refrigerating fluid. If it is required to repair A/C system, please contact the service stations authorized by DFSK

Vehicle Technical Parameters

Tire and Wheel

Tire size		Standard	225/60 R17	225/55 R18
		Spare Tire	T165/80 *17	225/55 R18
Tire specification		225/60 R17 or 225/55 R18		
Tire pressure (cold state) (kPa)	Front wheel	230 (no load)/230 (full load)		
	Rear Wheel	230 (no load)/230 (full load)		
T-shaped spare tire		420kPa		

Wheel	Type	Size	Offset distance (mm)
	Steel wheel	17×4T	23
	Aluminum wheel	17×7J	40
	Steel wheel	18×7.5J	40
	Aluminum wheel	18×7.5J	40

Wheel Position

Toe-in of front wheel (one-sided)	0±0.2°
Front-wheel camber (one-sided)	-0.5°±0.5°
Kingpin inclination angle	14.4°±0.5°
Kingpin caster angle	3.4°±0.5°
Rear-wheel camber (one-sided)	-1.0°±0.5°
Front toe-in of rear wheel (one-sided)	0~0.4°

Vehicle's Main Technical Parameters

Item		Parameter
Mass parameter	Motor model	TZ230XSIN107
	Rated power (kw)	50
	Maximum authorized total mass (kg)	2130
	Passengers	5
	Axle load distributed under maximum authorized total mass (front / rear axle) (kg)	1062×1068
	Rated load (kg)	N/A
	Unladen mass (kg)	1755

	Axle load distributed under unladen mass (front / rear axle) (kg)	955×800
Size parameter	Overall dimension (length × width × height) (mm)	4385×1850×1650
	Wheel tread (front / rear) (mm)	1580×1582
	Front suspension / rear suspension (mm)	925×820 917×813
	Wheelbase (mm)	2640 2655
	Approach angle / departure angle (°)	No load: 20.0/28.0 Full load: 19.0/24.0
	Vehicle mass center height (mm)	606.1×609.5
	Minimum ground clearance (mm)	180
	Minimum turning diameter (mm)	11.5
Dynamic property	Maximum speed (km/h)	155
	Speed-up time (0~50km/h)	≤4.5

	Speed-up time (0~100km/h)		≤ 10.00
	Steep slope performance	Gradient (%)	≥ 35.00
Economic efficiency	NEDC (km)		≥ 300
Driver type			Front-motor front-wheel-drive layout

Traveling or registration abroad

If traveling to other countries or districts, please firstly confirm where you can charge your car.

If you have to register for your car in other countries, states, province or districts, go to the authority to confirm if your car meets the local laws and regulations. In some cases, the car cannot meet the local laws and regulations. However, sometimes you can modify your car to meet the local laws and regulations.

When getting or registering in countries, states, provinces or districts, you have to take charge of modification, transportation and registration by yourself. We will not be responsible for any potential inconvenience.

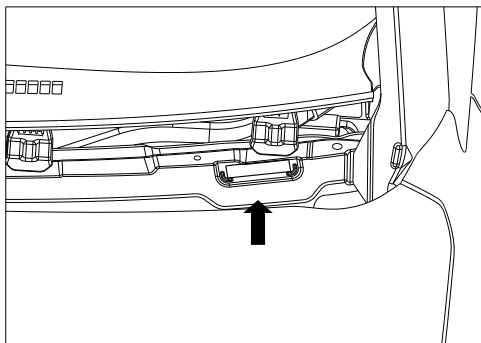
Vehicle Identification Sign

Vehicle Identification Label (Nameplate)

Vehicle nameplate is fixed below the Column B on the right side.

Position of Vehicle Identification Number (VIN)

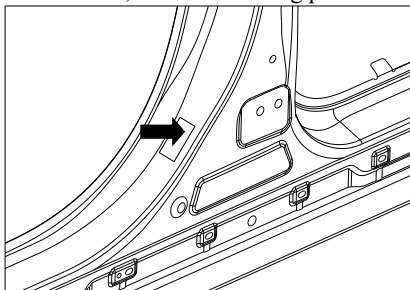
The vehicle identification number plate is the legal sign.

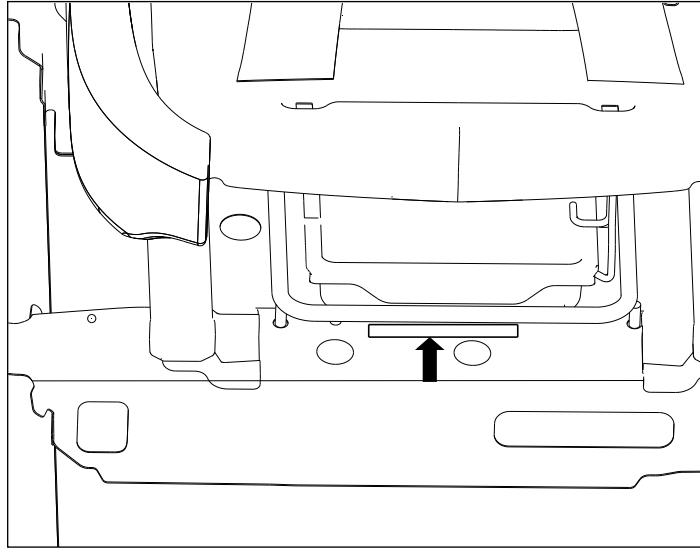


Vehicle Identification Number (VIN)

It is located below the front passenger seat as shown below:

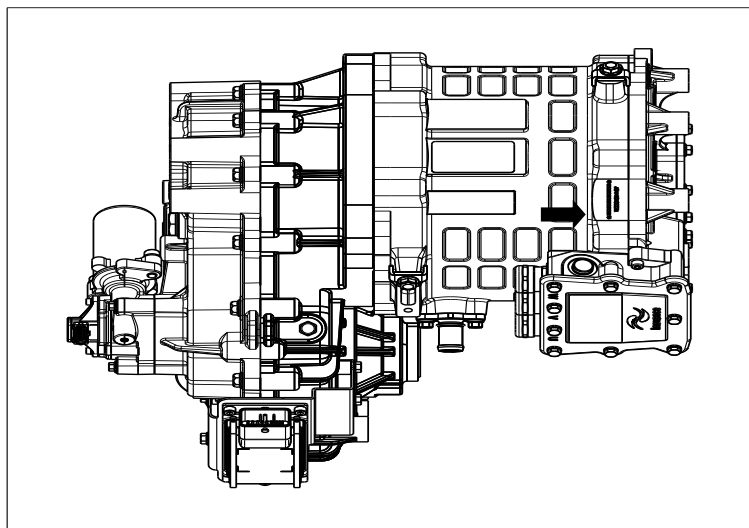
2. Rear floor, see the following picture:



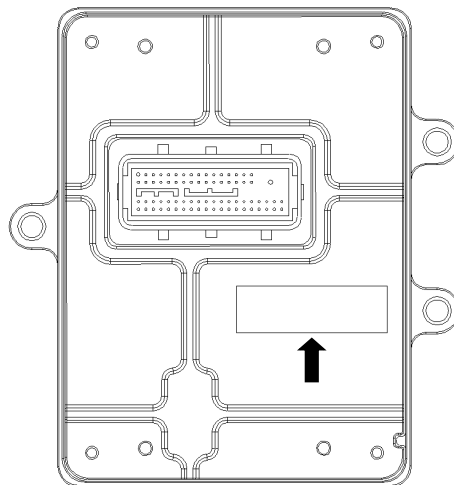


Motor No.

It is printed on motor as shown as the following arrow:

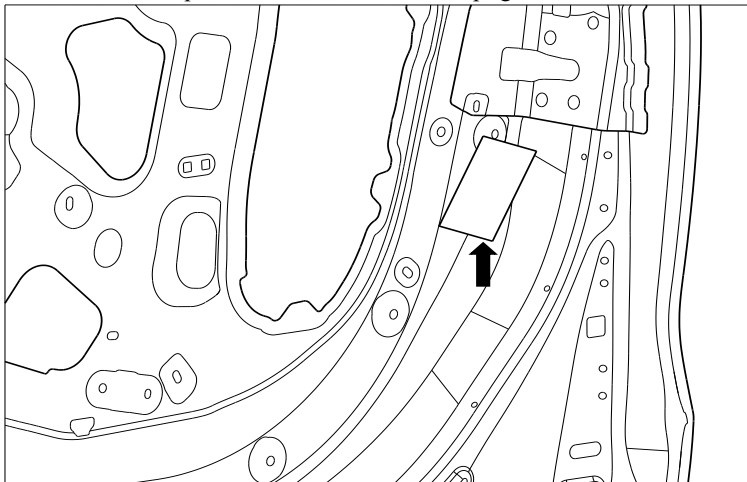


VCU Sign



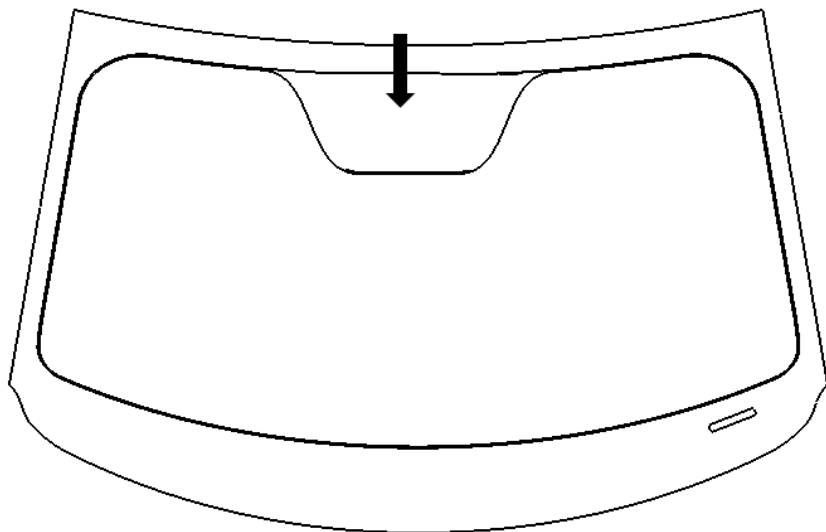
Tire Pressure Label

The pressure of cold state tire is shown on the tire pressure label on the middle upright of driver side.



Electric Identification (Microwave Window)

Microwave Window



The position of the microwave window is shown in the figure above; and the installation of the electronic identification should meet the requirements of GB/T 35790.1-2017.

Instructions for Use of EV Charging Plug

All the file information, DFSK(including SERES) Patent rights and other intellectual rights belong to DFSK or SERES NEV Sales Company or its authorized enterprise. Without any written authorization or written permit by SERES or DFSK nobody has right to copy or edit. SERES brand is registered in USA or other countries as follow:

SERES NEV Sales Co., Ltd

SERES NEV Auto Co., Ltd.

DFSKSERES Auto Sales Co., Ltd.

SERES NEV R&D Co., Ltd.

All the brand logo rights respectively belong to its owners. Forbidden to use any logo or brand in this manual without permit.